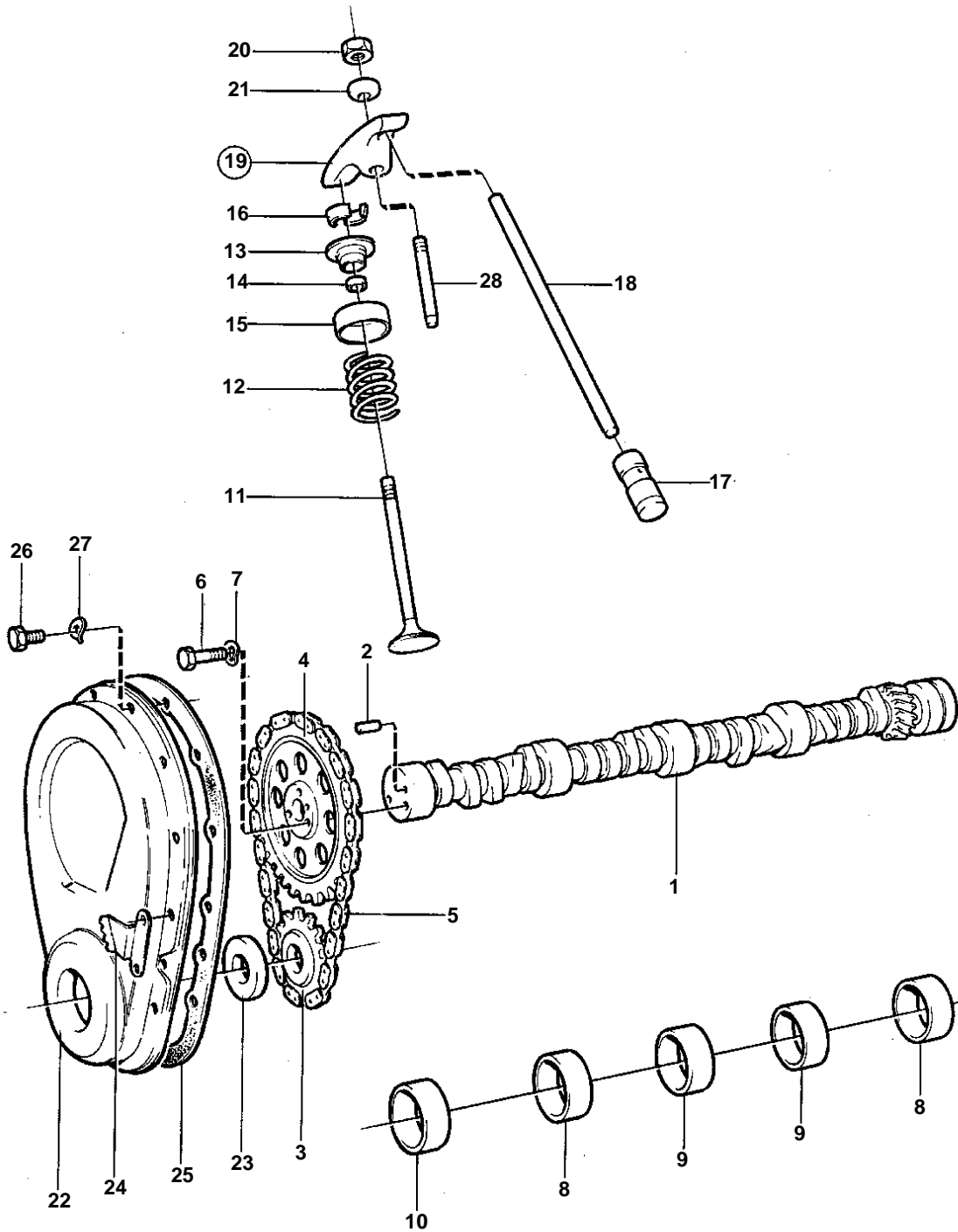


AQ200B



6142

AQ200B

REF	PART NO.	QTY	DESCRIPTION	SEE SEC.	NOTES
1	835465	1	Camshaft		
2	835040	1	· Locating pin		
3	835544	1	Sprocket	13024	
4		1	Sprocket		
5	835546	1	Camshaft chain		
6	940135	3	Hexagon screw		
7	941907	3	Spring washer		
8	841423	2	Bushing		SPEC. 9881, 9890. 9919, 9958, 9960.
9	841424	2	Bushing		SPEC. 9881, 9890. 9919, 9958, 9960.
10	841422	1	Bearing		SPEC. 9881, 9890. 9919, 9958, 9960.
11	835541	8	Exhaust valve		ONLY WHEN REVERSE GEAR IS INSTALLED., STD
	841372	8	Exhaust valve		ONLY WHEN REVERSE GEAR IS INSTALLED., OVER SIZE 0,015"
		8			STD
		8			OVER SIZE 0,010"
		8	Inlet valve		OVER SIZE 0,030"
12		8	Valve spring		MB20B MO-XXXX/86637., AQ130C MO-XXXX/87512., AQ130C MOXXXX/87513-.
	835102	8	Spring		MB20B MOXXXX/86638-., AQ130C MO-XXXX/87512., AQ130C MOXXXX/87513-.
	835102	16	Spring		FOR ENGINE WITH AQ DRIVE 100, 250 OR REDUCTION REVERSE GEAR., FOR ENGINE WITH AQ DRIVE 100B, 270, 280 OR REVERSE GEAR TYPE BORG WARNER., AQ115A MO-XXXX/86908.
13	835400	8	Valve spring washer		MB20B MO-XXXX/86637.
	841782	8	Valve spring washer		MB20B MOXXXX/86638-.
14	835106	16	Sealing ring		
15	835107	16	Shield		AQ115A MOXXXX/86909-.
16	835401	32	Valve collet		
17	835089	16	Tappet		
18	835088	16	Push rod		
19	835090	16	Rocker arm		
20	841198	16	· Nut		
21	841199	16	· Ball		
22	835385	1	Cover		
23	835386	1	· Seal		
24	841038	1	Setting indicator		
25	835389	1	Gasket		
26	835369	10	Screw		
27	941906	10	Spring washer		
28	835108	16	Stud	13026	
	841779	16	Stud		OVER SIZE 0,013"