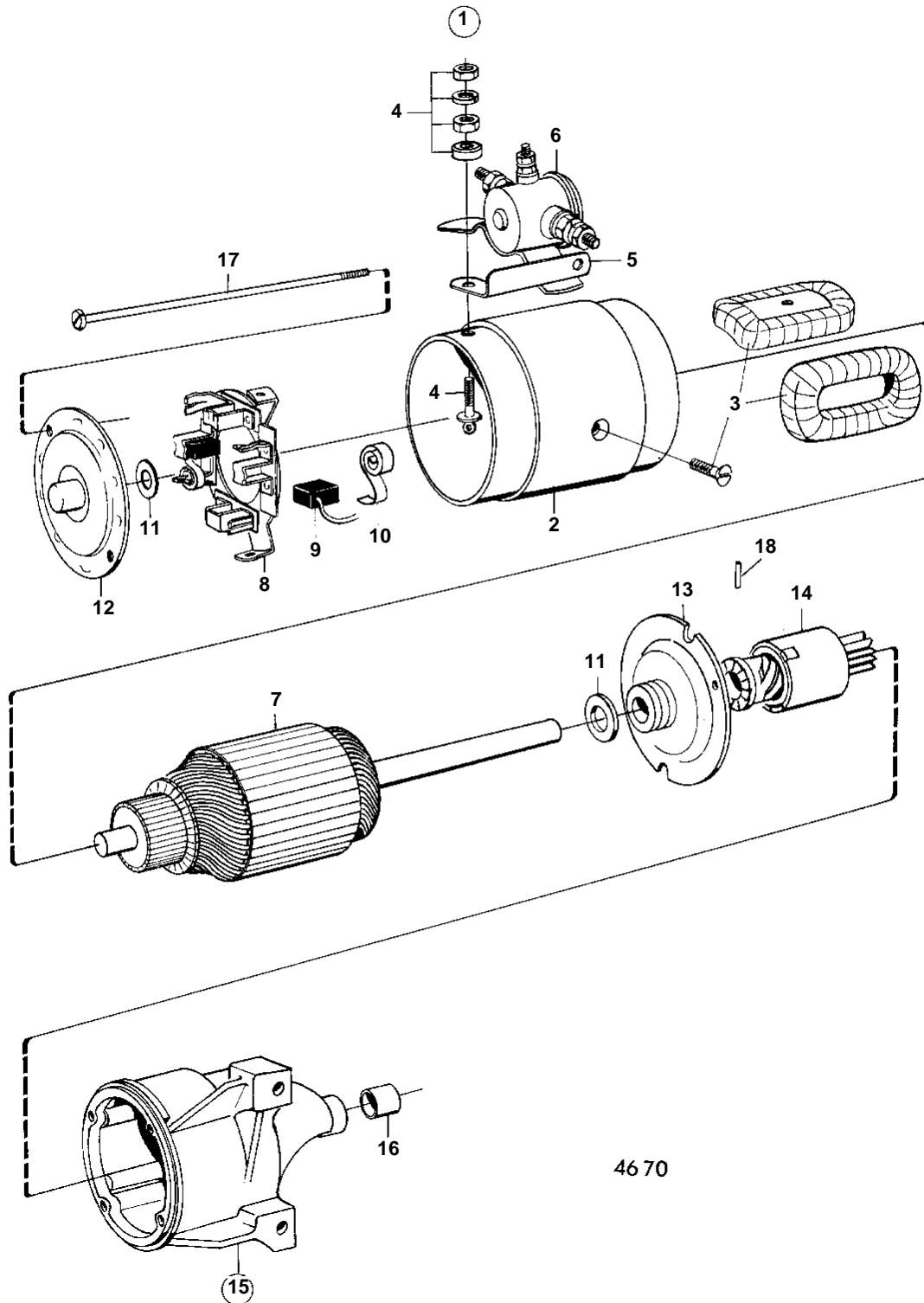


AQ200B, AQ225B



4670

AQ200B, AQ225B

REF	PART NO.	QTY	DESCRIPTION	NOTES
1		1		REPL BY 834893
2		1	· HOUSING	
3		1	· Field winding kit	
4		1	· Connector kit	
5		1	· Connecting rail	
6		1	· Actuator solenoid	
7		1	· Rotor	
8		1	· Brush retainer plate	
9	834914	1	· Carbon brush	
10		1	· Spring kit	
11		1	· Washer kit	
12		1	· Head	
13		1	· Bearing	
14		1	· Starter pinion	
15		1	· End cover	
16		1	· · Bearing	
17		1	· Screw kit	
18		1	· Pin	