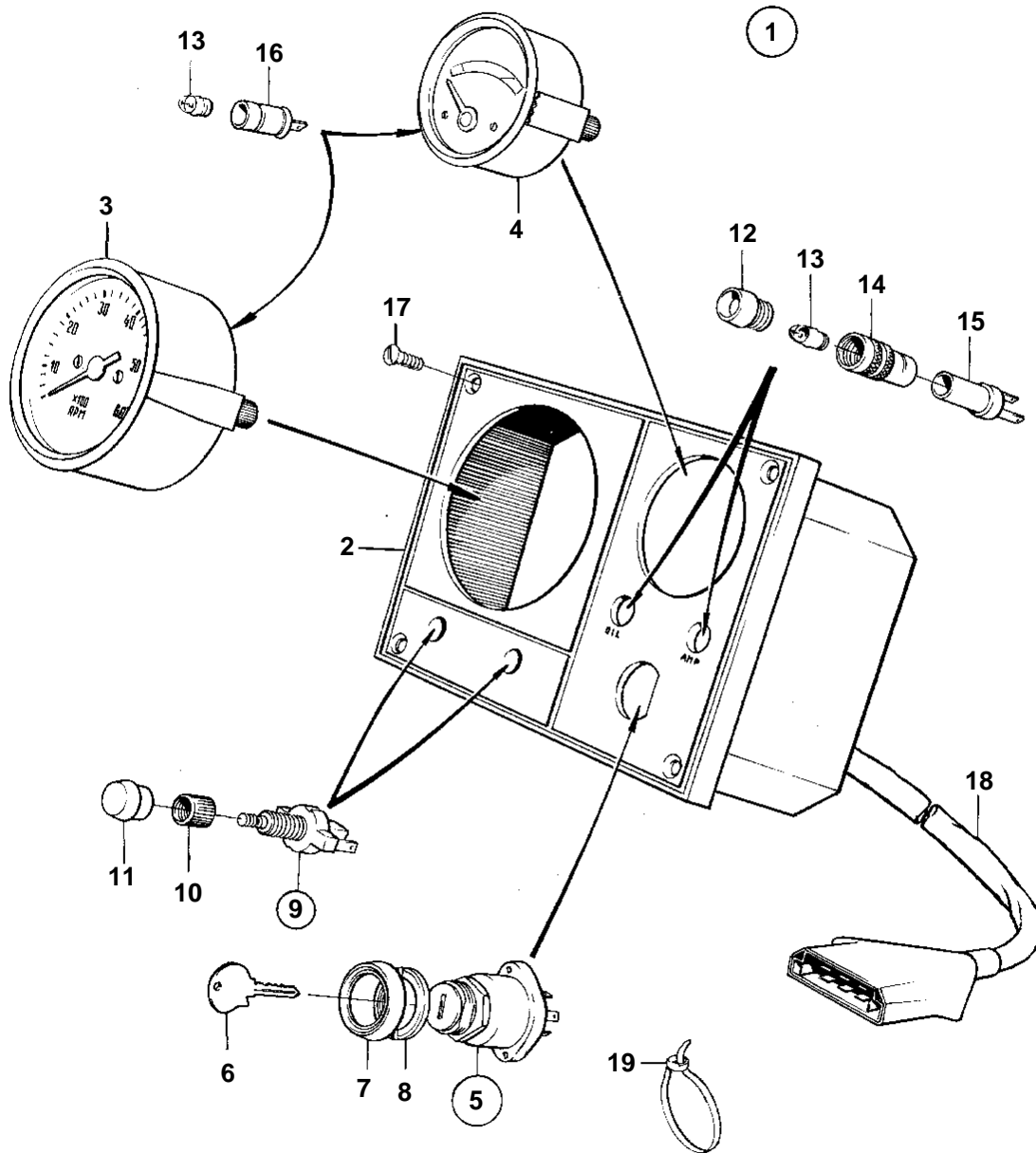


AQ200B, AQ225B



466B

AQ200B, AQ225B

REF	PART NO.	QTY	DESCRIPTION	SEE SEC.	NOTES
1		1	Instrument panel		FOR CABLE AREA 16 SQ MM.
2		1	· Instrument plate		
3		1	· Tachometer		
4	841233	1	· Thermometer		
5	824963	1	· Starter switch		
6		2	· · Key		REPLACED BY 1EA 846622 FLOW SWITCH AND 1EA 846632 NIPPLE.
			Bulletin P-36-4-1	P-36-4-1-EN	Deleted Part No's for Keys
7		1	· Collar		
8		1	· Nut		
9		2	· Switch		
10	843002	2	· · Nut		
11	837726	2	· · Knob		
12	827766	2	· Lens		
13	19923	4	· Bulb		12V
14	819350	2	· Sleeve		
15	808175	2	· Lamp socket		
16		2	· Lamp socket		
17	944540	4	· Screw		
18		1	· Cable trunk		L = 7000 MM
			· · CABLE AND CABLE TERMINALS	13042	
19	827353	X	· · Cable tie	13042	