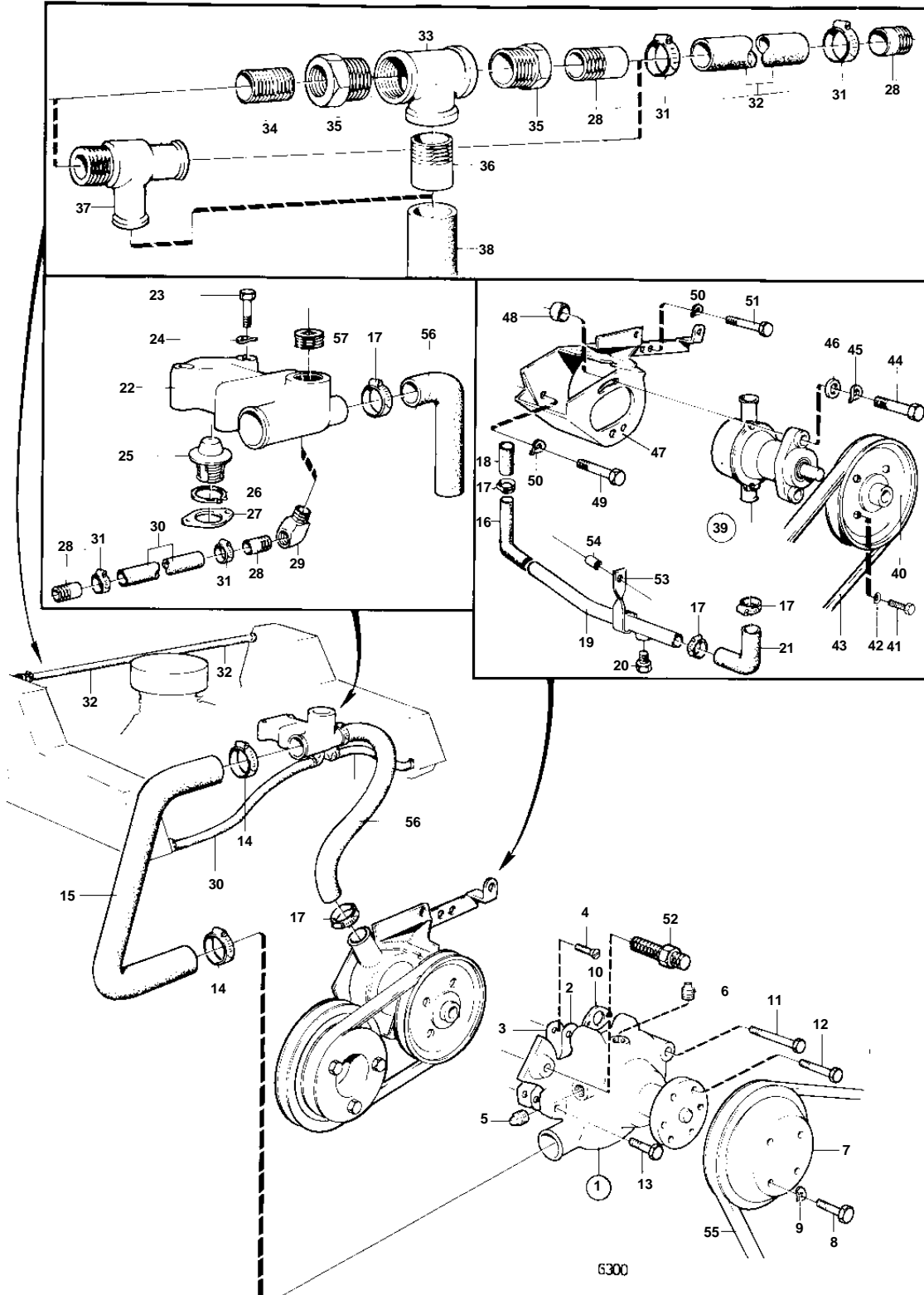


AQ200B



AQ200B

REF	PART NO.	QTY	DESCRIPTION	SEE SEC.	NOTES
1	835390	1	Water pump		
2	841036	1	· Gasket		
3		1	· Plate		
4	835369	6	· Screw		
5	952358	1	· Plug		
6	952359	1	· Plug		
7	835416	1	Pulley		
8	955655	4	Hexagon screw		
9	941907	4	Spring washer		
10	835210	2	Gasket		
11	940162	1	Hexagon screw		
12	955536	2	Hexagon screw		
13	955540	1	Hexagon screw		
14	961672	2	Hose clamp		
15	834906	1	Hose		
16		1	Hose		
17	943476	6	Hose clamp		
18	941799	X	Hose		L = 450 MM
19		1	Tube		
20	180759	1	Plug		EARLY TYPE
21		1	Rubber hose		
22		1	Thermostat housing		
23	955542	2	Hexagon screw		
24	942336	2	Spring washer		
25		1	Thermostat		
26	835552	1	Lock ring		
27	835417	1	Gasket		
28		6	Nipple		
29		2	Elbow union		
30	952970	X	Hose		L = 2X200 MM
31	943476	6	Hose clamp		
32	952970	X	Hose		L = 400 MM
33		1	SCREW UNION		EARLY TYPE
34		1	Nipple		EARLY TYPE
35		2	Nipple		EARLY TYPE
36		1	Nipple		EARLY TYPE
37		1	Nipple		LATE TYPE
38		1	Hose		
39		1			REPLACED BY 1EA 1544097., INCLUDED IN TURBO COMPRESSOR., SPECIAL MODEL, WATER PUMP SHAFT LENGHT=153 MM.
				13034	
		1	Sea water pump		INCLUDED IN PACKING., WATER PUMP SHAFT LENGHT=203 MM.
				13034	
40		1	PULLEY		REPLACED BY 1EA 1544389.
		1	Pulley		INCLUDED IN PACKING.
41	940113	4	Hexagon screw		INCLUDED IN PACKING.
42	941907	4	Spring washer		INCLUDED IN PACKING.
43	958525	1	Drive belt set		
44	940186	2	Hexagon screw		
45	941907	2	Spring washer		
46	191172	2	Washer		
47		1	Bracket		
48	822255	2	Spacer sleeve		
49	955534	1	Hexagon screw		
50	942336	2	Spring washer		
51	941939	1	Screw		
52	835394	1	Screw		
53		1	BRACKET		
54		1	Spacer sleeve		
55	958498	1	V-belt		SEE GROUP 3
56		1	Hose		
57	952077	1	Plug		