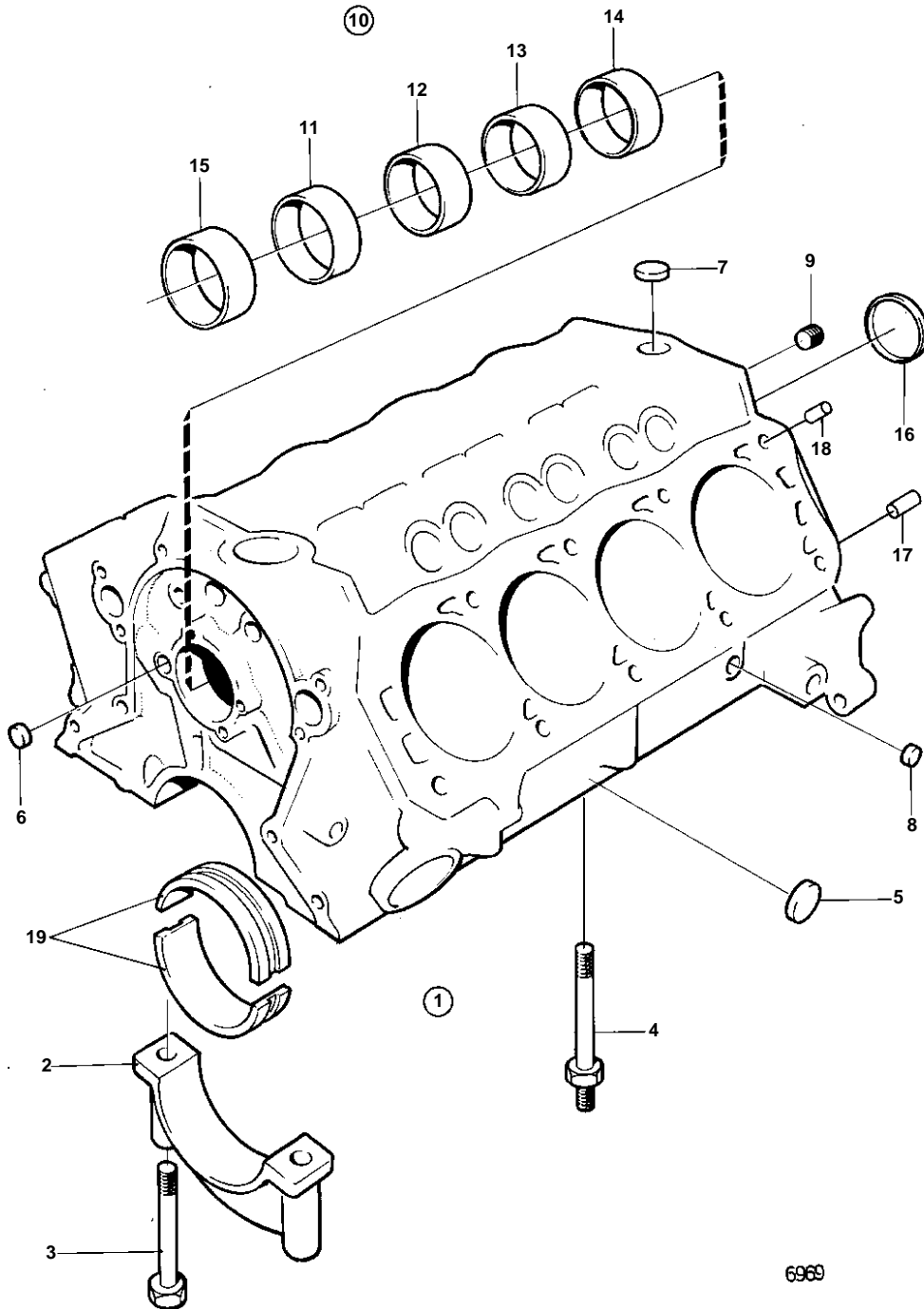


AQ190A



6969

50%

AQ190A

REF	PART NO.	QTY	DESCRIPTION	SEE SEC.	NOTES
1	826363	1	Cylinder block		REPLACED BY 1EA 834934 CYLINDER BLOCK AND 16PCS 841718 PUSH ROD.. WHEN ORDERING NEW CYLINDERBLOCK 834934 FOR ENGINES MO-1053, SHORTER PUSH RODS 841718 MUST BE USED.
2		5	· MAIN BEARING CAP		
3	826378	9	· Screw		
4	826379	1	· Stud		
5	835862	6	· Plug		
6	835863	3	· Plug		
7	835915	1	· Plug		
8	942734	2	· Plug		
9	952075	3	· Plug		
10	841714	1	· Camshaft bearing kit		
11	835733	1	· · Local part		
12	835731	1	· · Local part		
13	835734	1	· · Local part		
14	835732	1	· · Camshaft bearing		
15	835730	1	· · Bearing		
16	835920	1	· · Plug		
17	835925	2	· Pin	02A-0100	
18	835914	4	· Pin	02A-0500	
19		1	MAIN BEARING KIT	02A-0400	