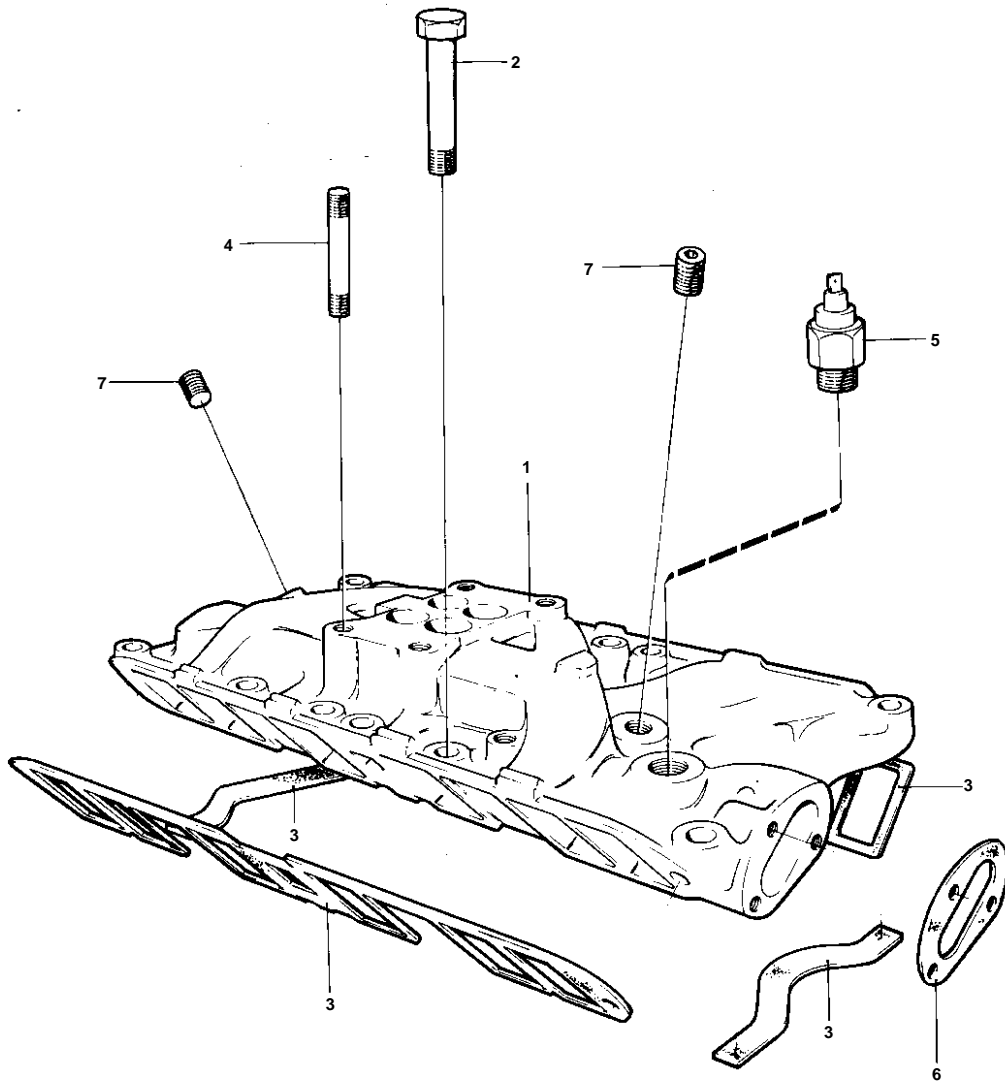


AQ240A



6963

**AQ240A**

REF	PART NO.	QTY	DESCRIPTION		SEE SEC.	NOTES
1	835784	1	Inlet pipe			
2	835935	16	Screw			
3	835785	1	Gasket kit	IK		
4	835936	4	Stud			SEE GROUP 2C
5	835630	1	Temperature sensor			SEE GROUP 3
6	835645	1	Gasket	IK	02B-0150	
7	952076	2	Plug			