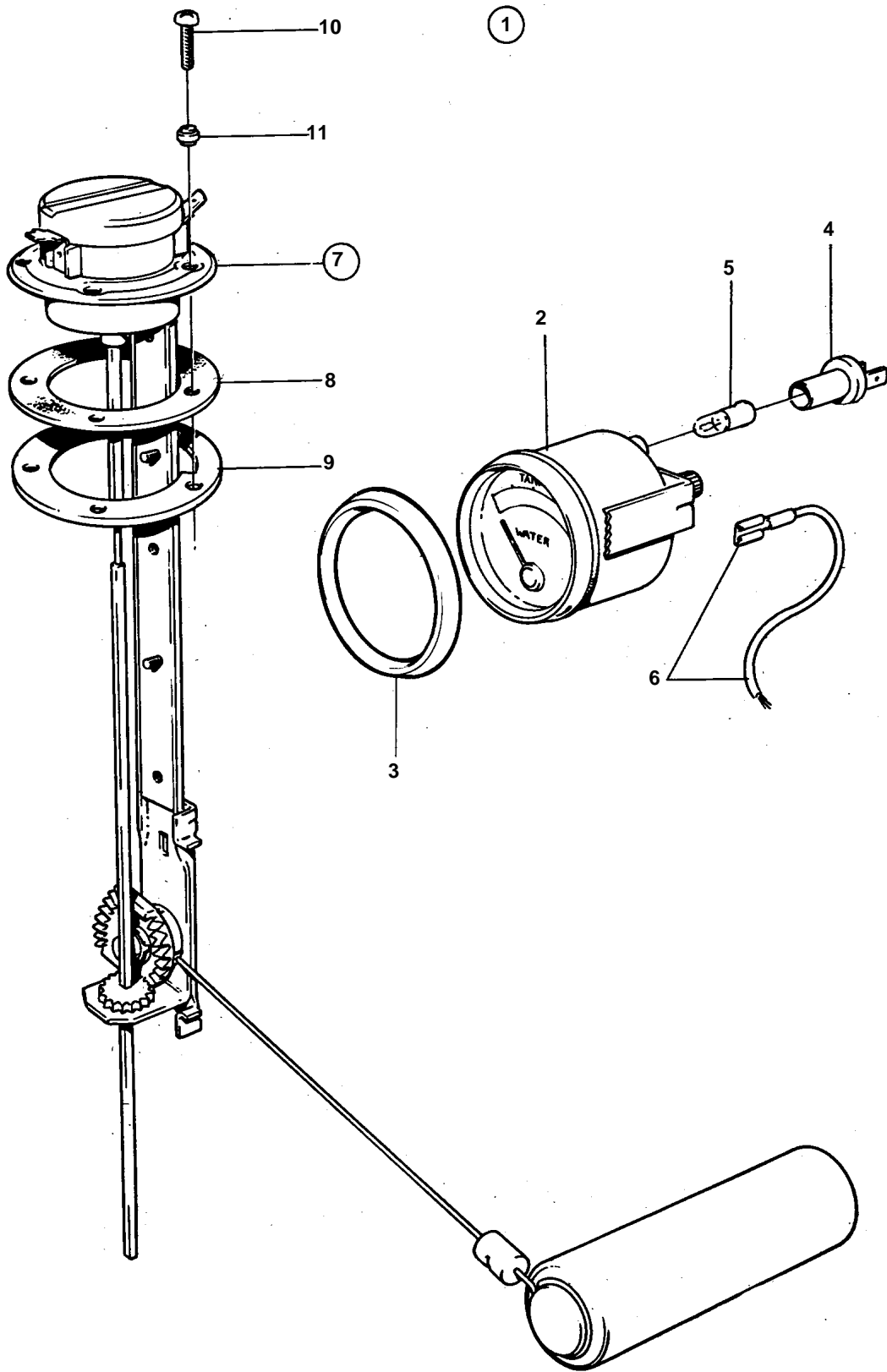


COMMON



## COMMON

| REF | PART NO. | QTY | DESCRIPTION            | NOTES       |
|-----|----------|-----|------------------------|-------------|
| 1   | 858882   | 1   |                        | 24V         |
| 2   | 828636   | 1   | · Tank gauge           |             |
| 3   | 858643   | 1   | · Front ring           | (828542)    |
| 4   | 808175   | 1   | · Bulb socket          |             |
| 5   | 182059   | 1   | · Bulb                 |             |
| 6   |          | X   | · CABLES AND TERMINALS | SEE GROUP 3 |
| 7   | 834389   | 1   | · Sender               |             |
| 8   | 89865    | 1   | · · Gasket             |             |
| 9   | 834480   | 1   | · · Flange             |             |
| 10  | 956078   | 4   | · · Screw              | L = 16 MM   |
| 11  | 834481   | 5   | · · Gasket             |             |