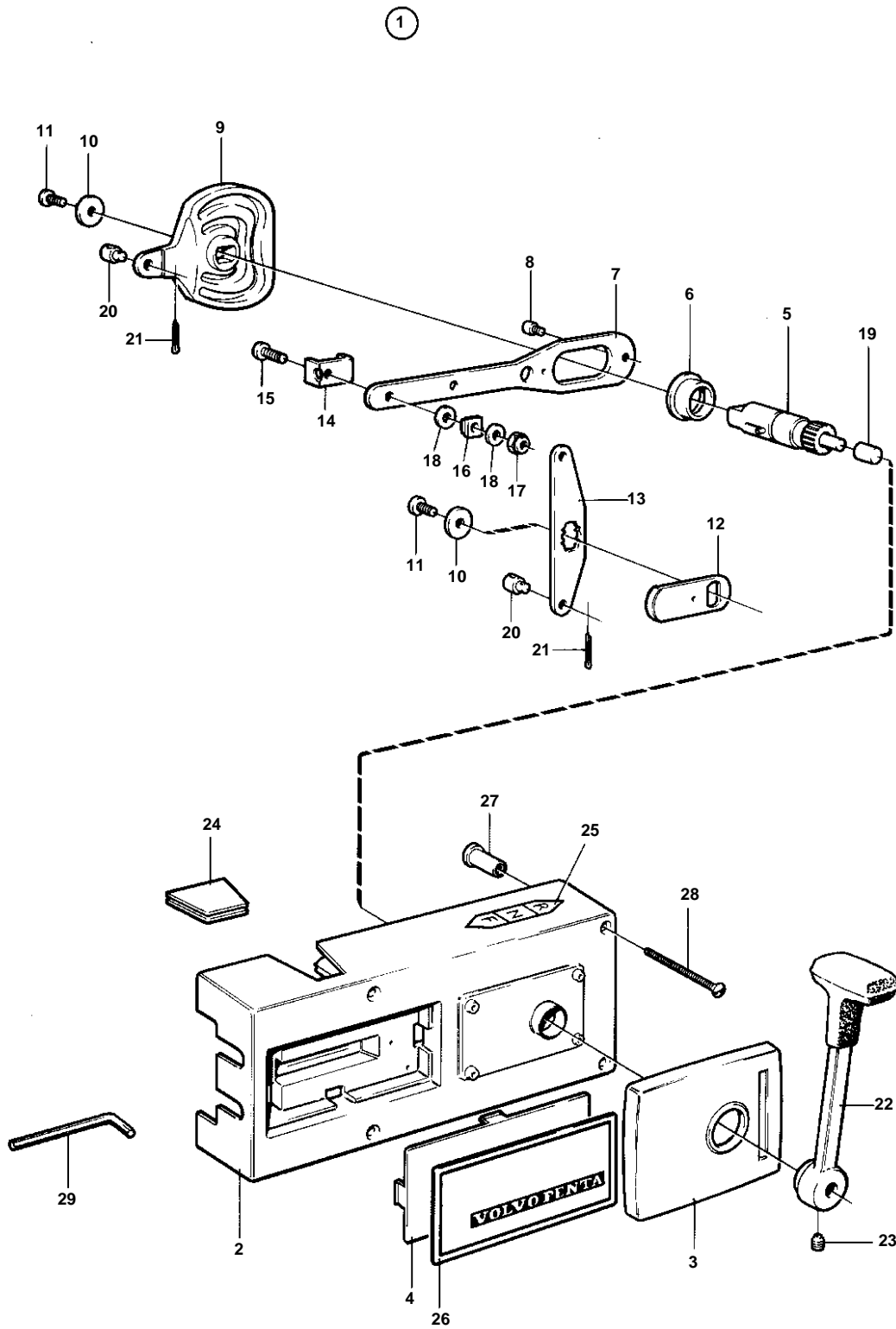


COMMON



5917

COMMON

| REF | PART NO. | QTY | DESCRIPTION | NOTES |
|-----|----------|-----|-------------------|------------------------|
| 1 | 853082 | 1 | Control | |
| 2 | | 1 | · COVER | |
| 3 | | 1 | · COVER | |
| 4 | 3576178 | 1 | | |
| 5 | | 1 | · SHAFT | |
| 6 | 839701 | 1 | · Bushing | |
| 7 | | 1 | · LINK | |
| 8 | 851713 | 1 | · Spare parts kit | |
| 9 | | 1 | · ECCENTER | |
| 10 | 839635 | 2 | · Washer | |
| 11 | 839637 | 2 | · Screw | |
| 12 | 839639 | 1 | · Arm | |
| 13 | 839633 | 1 | · Arm | |
| 14 | 839700 | 1 | · Retainer | REPL BY 853423, 852924 |
| 15 | 839664 | 1 | · Screw | |
| 16 | 839666 | 1 | · Washer | |
| 17 | 963104 | 1 | · Nut | |
| 18 | 839665 | 2 | | |
| 19 | 839632 | 1 | · Button | |
| 20 | 839638 | 2 | · Cube | |
| 21 | 17253 | 2 | · Cotter pin | |
| 22 | 839520 | 1 | · Lever | |
| 23 | 839693 | 1 | · Lock screw | |
| 24 | 3576182 | 2 | · Cover | |
| 25 | | 1 | · DECAL | |
| 26 | 3576249 | 1 | · Decal | |
| 27 | 851936 | 4 | · Rubber expander | |
| 28 | 851937 | 4 | · Screw | |
| 29 | 3552006 | 1 | · Allen wrench | |