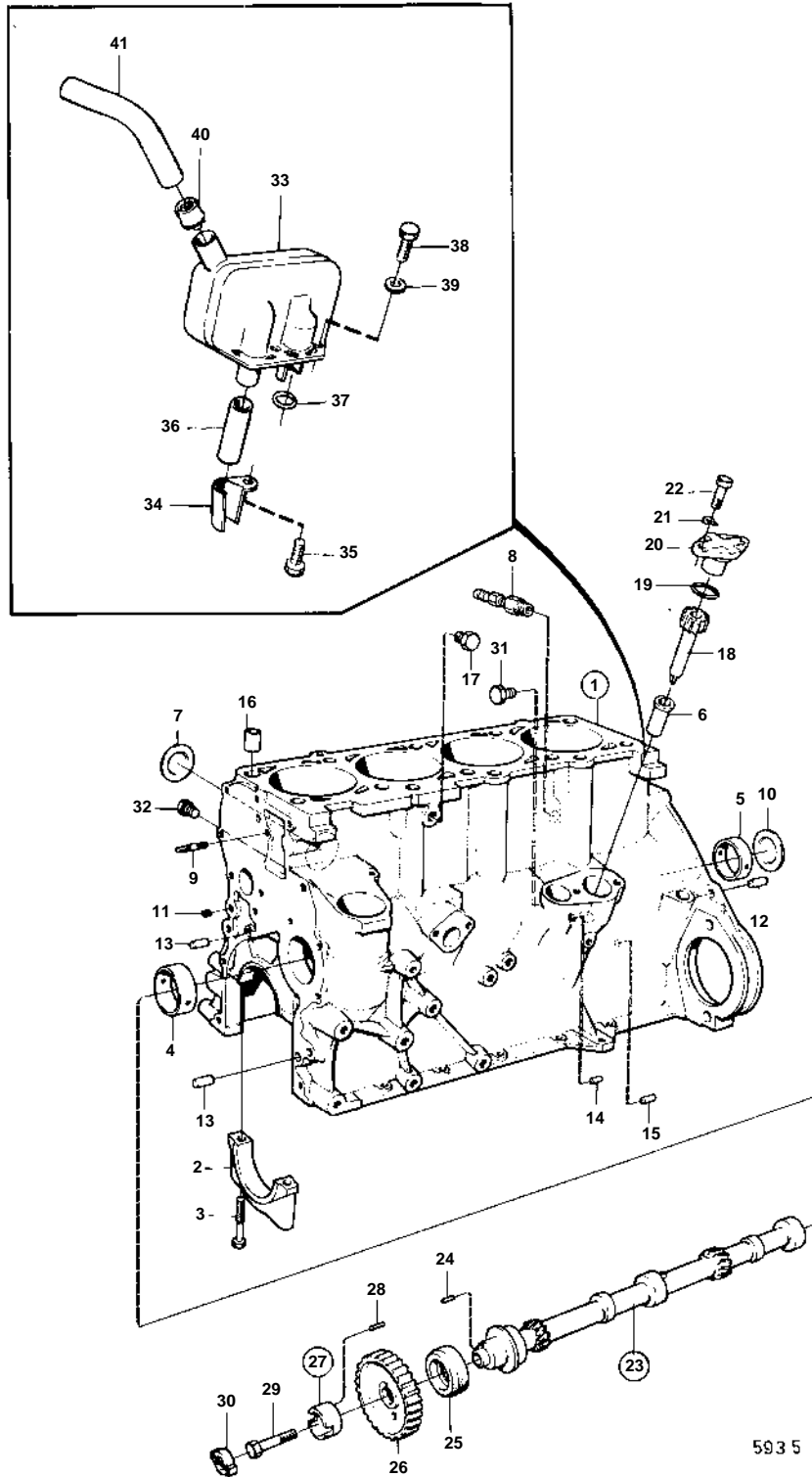


AQ145A, BB145A



AQ145A,BB145A

REF	PART NO.	QTY	DESCRIPTION	SEE SEC.	NOTES
1	1306367	1			REPLACED BY 1EA 1306396 + 1EA 841817 COVER + 1EA 841818 GASKET.
	1306396	1			REPL BY 1317345. FOR ENGINE WITH THE OIL TRAP INSTALLED IN THE CYLINDER BLOCK.
	1317345	1	Cylinder block		
2		5	· BEARING CAP		
3	945799	10	· Screw		
4	463360	1	· Bushing		
5	463361	2	· Bushing		
6	463362	1	· Bushing		
7	463904	4	· Expansion plug		
8	947894	1	Drain cock		
9	924055	2	Stud		
10	463905	1	Expansion plug		
11	952075	3	Plug		
12	19730	2	Locating pin		
13	950565	1	Pin		L = 22 MM
	950562	1	Pin		L = 16 MM
14	950586	1	Pin		
15	950542	1	Pin		
16	415311	2	Sleeve		
17	952075	1	Plug		
18	463365	1	Shaft	02A-1300	
19	925065	1	O-ring	IK	
20	463367	1	Cover		
21	941907	2	Spring washer		
22	955295	2	Screw		SEE GROUP 2B
23	463581	1	Countershaft		
24	949433	1	· Pin		
25	1306333	1	Sealing ring, SEAL RING	IK	(463358)
				02A-0925	
26	831972	1	Wheel	02A-0925	
27	828038	1	Companion flange		
28	950525	1	· Lock pin		
29	955322	1	Screw		
30	831009	1	Cross piece		SEE GROUP 2B
31	960630	1	Plug		
32	191026	1	Plug		
33	1306398	1	Oil trap		AQ145A USA MO 75014726-. AQ145A MO 75034726-.
34	1306981	1	Hose support		AQ145A USA MO 75014726-. AQ145A MO 75034726-.
35	955296	1	Screw	02A-1300	
36	1306196	1	Hose		AQ145A USA MO 75014726-. AQ145A MO 75034726-.
37	925065	1	O-ring		
38	955295	2	Screw		
39	955894	2	Washer		
40	419771	1	Flame trap		AQ145A USA MO 75014726-. AQ145A MO 75034726-.
41	948553	X	Hose		L = 380 MM