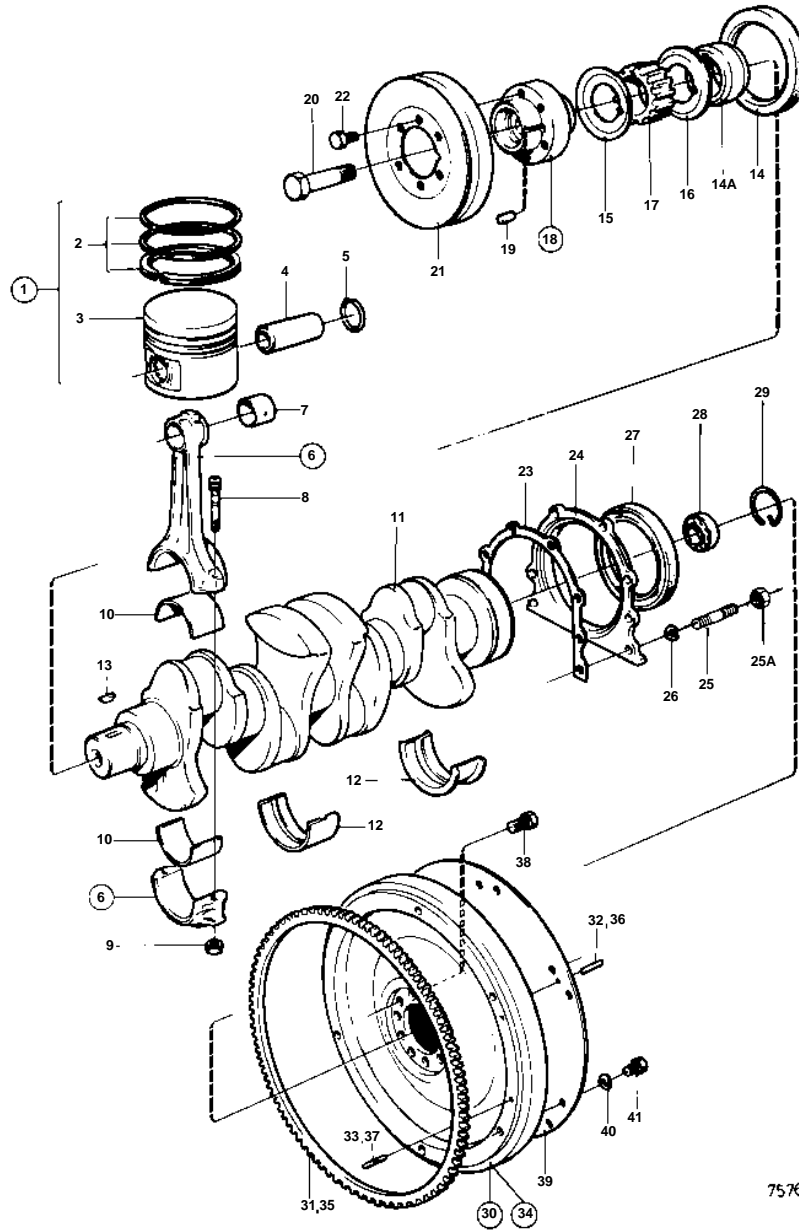


AQ145A, BB145A



AQ145A,BB145A

REF	PART NO.	QTY	DESCRIPTION	SEE SEC.	NOTES
1	875689	4	Piston kit		FORGED PISTONS.
	875716	4	Piston kit		STD D. CAST PISTONS, MO 75015200-, MO 75035926-.
	875690	4	Piston kit		STD D+0,03 MM. FORGED PISTONS.
	875717	4	Piston kit		STD D+0,03 MM. CAST PISTONS, MO 75015200-, MO 75035926-.
	875691	4	Piston kit		OVER SIZE 0,3 MM. FORGED PISTONS.
	875718	4	Piston kit		OVER SIZE 0,3 MM. CAST PISTONS, MO 75015200-, MO 75035926-.
	875692	4	Piston kit		OVER SIZE 0,6 MM. FORGED PISTONS.
	875719	4	Piston kit		OVER SIZE 0,6 MM. CAST PISTONS, MO 75015200-, MO 75035926-.
2	275331	4	· Piston ring kit		STD D
	275332	4	· Piston ring kit		OVER SIZE 0,3 MM
	275333	4	· Piston ring kit		OVER SIZE 0,6 MM
3		4	· PISTON		
4	463096	4	· Piston pin		STD D
	463534	4	· Piston pin		OVER SIZE 0,05 MM
5	1276511	8	· Snap ring		(945848)
6	1219237	4	Connecting rod		
7	463092	4	· Bushing		STD D
	463535	4	· Bushing		OVER SIZE 0,4 MM
8	463090	8	· Screw		
9	463643	8	· Nut		
10	271063	1	Big end bearing kit		STD D
	271064	1	Big end bearing kit		UNDER SIZE 0,25 MM
	271065	1	Big end bearing kit		UNDER SIZE 0,50 MM
11	1306441	1	Crankshaft		(1266922)
12	271214	1	Main bearing kit		STD D
	271215	1	Main bearing kit		UNDER SIZE 0,25 MM
	271216	1	Main bearing kit		UNDER SIZE 0,50 MM
13	910122	1	Key		
14	1276424	1	Sealing ring	IK 02A-0925	
14A	463576	1	Spacer sleeve		TEMPORARY PRODUCTION.
15	463376	1	Locating plate		
16	1276141	1	Plate		
17	831971	1	Wheel	02A-0925	
18	1276151	1	Hub		
19	19704	1	· Pin		
20	828039	1	Screw		
21	1219147	1	Pulley		
22	946544	6	Flange screw		
23	463829	1	Gasket	IK	
24	463263	1	Sealing flange		
25	953035	6	Stud		
25A	945407	6	Flange nut		
26	941906	6	Spring washer		
27	430118	1	Sealing ring	IK	
28	11009	1	Ball bearing		
29	191848	1	Lock ring		
30	1326334	1	Flywheel housing		AQ145A MO 75035422/XXXX-. AQ145A USA MO 75015072/XXXX-.. REPLACED BY 1336119 + 855389.
31	1326333	1	· Gear ring		
32	191873	3	· Locating pin		
33	1219286	2	· Pin		
34	1336119	1	Flywheel		
35	1326333	1	· Gear ring		
36	950543	3	· Pin		
37	1332078	2	· Grooved pin		
38	946379	8	Screw		
39	841895	1	Absorber		REPL BY 855389. AQ145A USA MO-77051556.
	855389	1	Absorber		AQ145A USA MO 77051557-.
40	941907	6	Spring washer		
41	955295	6	Screw		