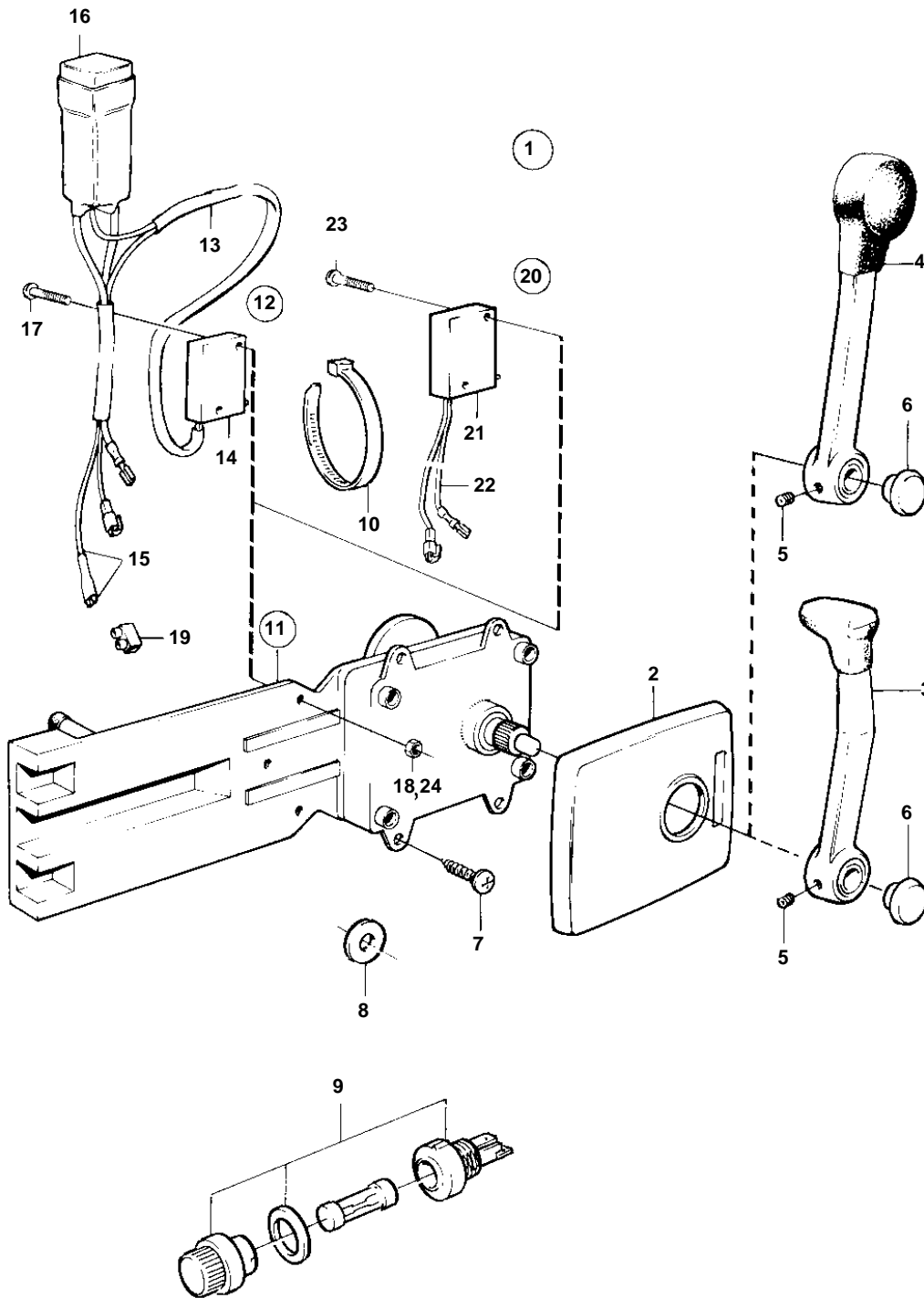


COMMON



8886

COMMON

REF	PART NO.	QTY	DESCRIPTION	SEE SEC.	NOTES
1	1140091	1	Mounting kit		
2	853713	1	· Cover		
3	1140042	1	· Lever	090-0720	
5	963678	1	· · Screw		
6	853004	1	· Push button		
7	961330	4	· Screw		
9	841073	1	· Fuse holder		
		2	· FUSE		
		1	· O-RING		
10	948210	1	Strip clamp		
11	1140095	1	Control mechanism		
12	855352	1	Neutral posit contac		
13	839619	1	· Cable kit		
14	850200	1	· · Switch		
15		X	· · CABLES AND TERMINALS		SEE GROUP 3
16	876037	1	· Relay kit		
17	946177	2	· Screw		
18	947536	2	· Nut		
19	182009	1	· Coupling piece		
20	828414	1	Neutral posit contac		MAIN STATION.
	828378	1	Switch		SECOND STATION.
21	850200	1	· Switch		
22		X	· · CABLES AND TERMINALS		SEE GROUP 3
23	946177	2	· Screw		
24	947536	2	· Nut		