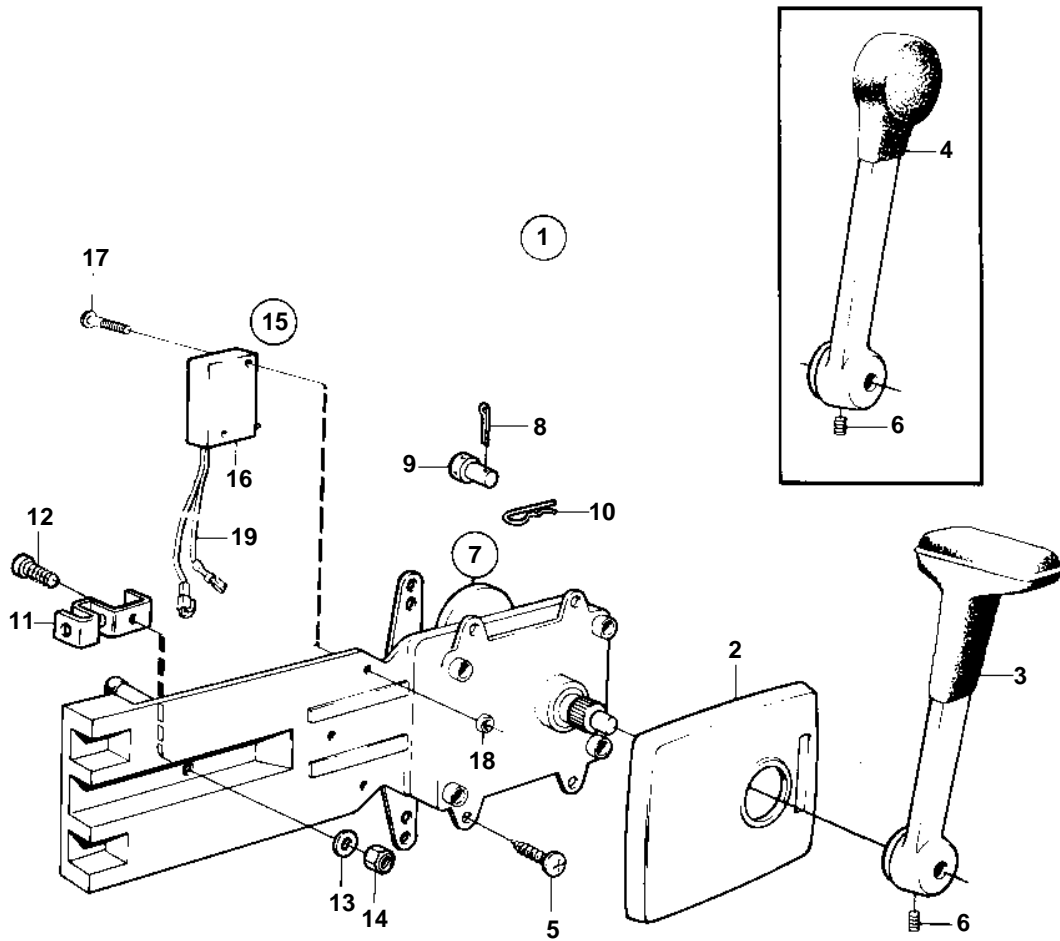


COMMON



9584

## COMMON

REF	PART NO.	QTY	DESCRIPTION	NOTES
1	851604	1	Mounting kit	
2	1140048	1	• Cover	
3	839520	1	• Lever	
5	955142	4	• Screw	
6	839693	1	• Lock screw	
7	851601	1	• Control	
8	17253	2	• Cotter pin	
9	839638	2	• Cube	
10	852924	1	• Clip	
11	853423	1	• Retainer	
12	839664	1	• Screw	
13	940275	1	• Washer	
14	946435	1	• Lock nut	
15	855352	1	Neutral posit contac	
16	850200	1	• Switch	
17	946177	2	• Screw	
18	947536	2	• Nut	
19		X	• CABLES AND TERMINALS	SEE GROUP 3