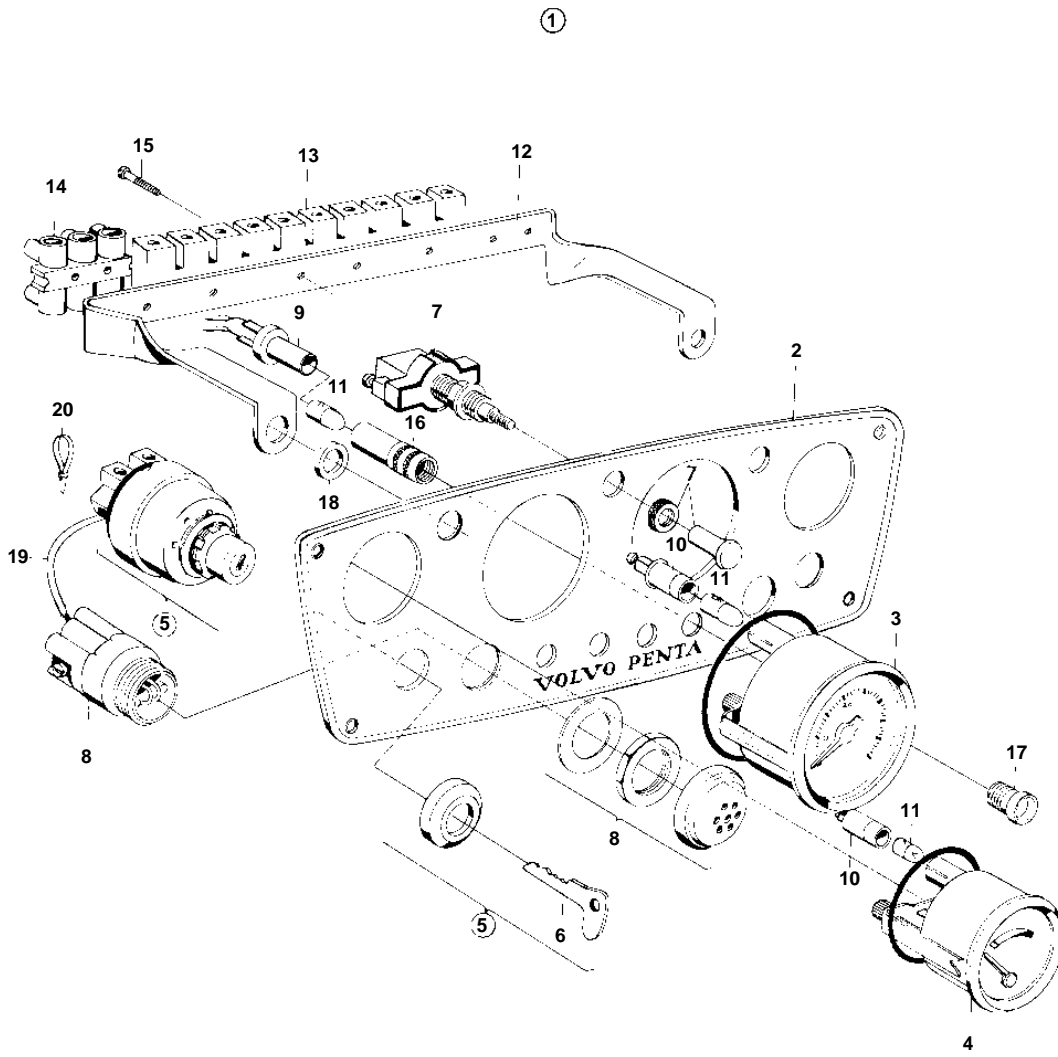


D21A



2197

D21A

REF	PART NO.	QTY	DESCRIPTION	NOTES
1	826928	1	Instrument panel	24V
2	819388	1	· Instrument panel	
3	836464	2	· Tachometer	
4	827149	2	· Thermometer	
5	870621	2	· Starter switch	
6	241383	4	· · Key	MARKED E. REPLACED BY 2EA 831507, 2EA 831990.. USED WHEN LATE TYPE OF EXPANSION TANK IS INSTALLED.
7	819079	3	· Pull switch	
8	6645885	2	· Connector kit	
9	808175	4	· Bulb socket	
10	808176	4	· Bulb socket	
11	182059	8	· Bulb	
12	819034	1	· Attaching brace	
13	190128	2	· Coupling piece	
14	941412	2	· Coupling piece	
15	804777	8	· Screw	
16	819350	4	· Sleeve	
17	819346	4	· Lens	
18	941908	4	· Spring washer	
19		X	· CABLES AND CABLE TERMINALS	SEE GROUP 3
20	827353	X	· Clamping ring	