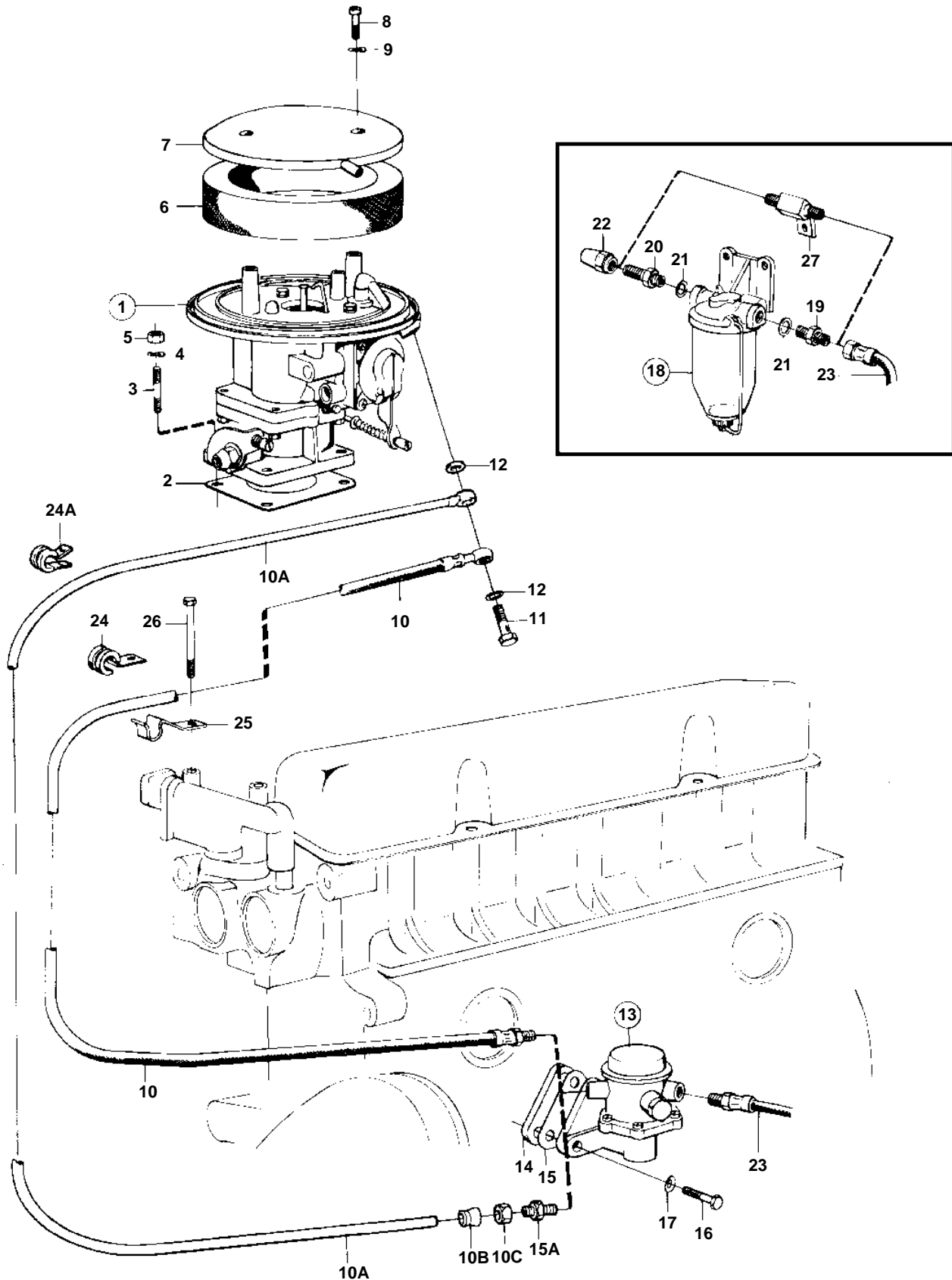


AQ115A,AQ115B



5575

AQ115A,AQ115B

| REF | PART NO. | QTY | DESCRIPTION | SEE SEC. | NOTES |
|-----|----------|-----|---|----------|--|
| 1 | 834527 | 1 | Carburetor | | |
| | | | | 02C-0900 | |
| 2 | 824677 | 1 | Gasket | IK | |
| 3 | 953461 | 4 | Stud | | |
| 4 | 941907 | 4 | Spring washer | | |
| 5 | 955834 | 4 | Nut | | |
| 6 | 824663 | 1 | Flame trap | | |
| 7 | 824701 | 1 | Cover | | |
| 8 | 950045 | 2 | Screw | | |
| 9 | 941906 | 2 | Spring washer | | |
| 10 | | 1 | HOSE | | REPLACED BY 1EA 471172 HOUSING AND 2EA 466987 FILTER. |
| 10A | 841583 | 1 | Tube | | |
| 10B | 831884 | 1 | Protective cap | | |
| 10C | 954321 | 1 | Cap nut | | |
| 11 | 824711 | 1 | Hollow screw | | |
| 12 | 834452 | 2 | Gasket | | |
| 13 | 831092 | 1 | Fuel pump | | |
| | | | | 02C-0700 | |
| 14 | 460678 | 1 | Spacer | | |
| 15 | 61830 | 2 | Gasket | IK | |
| 15A | 831965 | 1 | Nipple | | |
| 16 | 190524 | 2 | Screw | | |
| 17 | 941907 | 2 | Spring washer | | |
| 18 | 827200 | 1 | Fuel filter | | EARLY TYPE |
| | | | | 02C-1150 | |
| 19 | 192096 | 1 | Nipple | | EARLY TYPE |
| 20 | 191397 | 1 | Nipple | | EARLY TYPE |
| 21 | 957176 | 2 | Gasket | IK | EARLY TYPE |
| 22 | 954322 | 1 | Cap nut | | |
| 23 | 813007 | 1 | Hose | | |
| 24 | 946834 | 1 | Clamp | | REPLACED BY 1EA 469363, 1EA 469364. |
| 24A | 940374 | 1 | Clamp | | REPLACED BY 1EA 243775 COVER, 1EA 11996 GASKET, 1EA 240391 PIN AND 1EA 870380 SCREW. |
| 25 | 419534 | 1 | Clamp | | MOXXXX/103957- |
| 26 | 955528 | 1 | Screw | | SEE GROUP 2B |
| 27 | 831860 | 1 | Nipple | | LATE TYPE |
| | 833971 | 1 | Water separator | 02C-1250 | |
| | | 1 | CONNECTING COMPS FUEL FILTER - FUEL TANK | | |
| | | | | | SEE GROUP 9 |