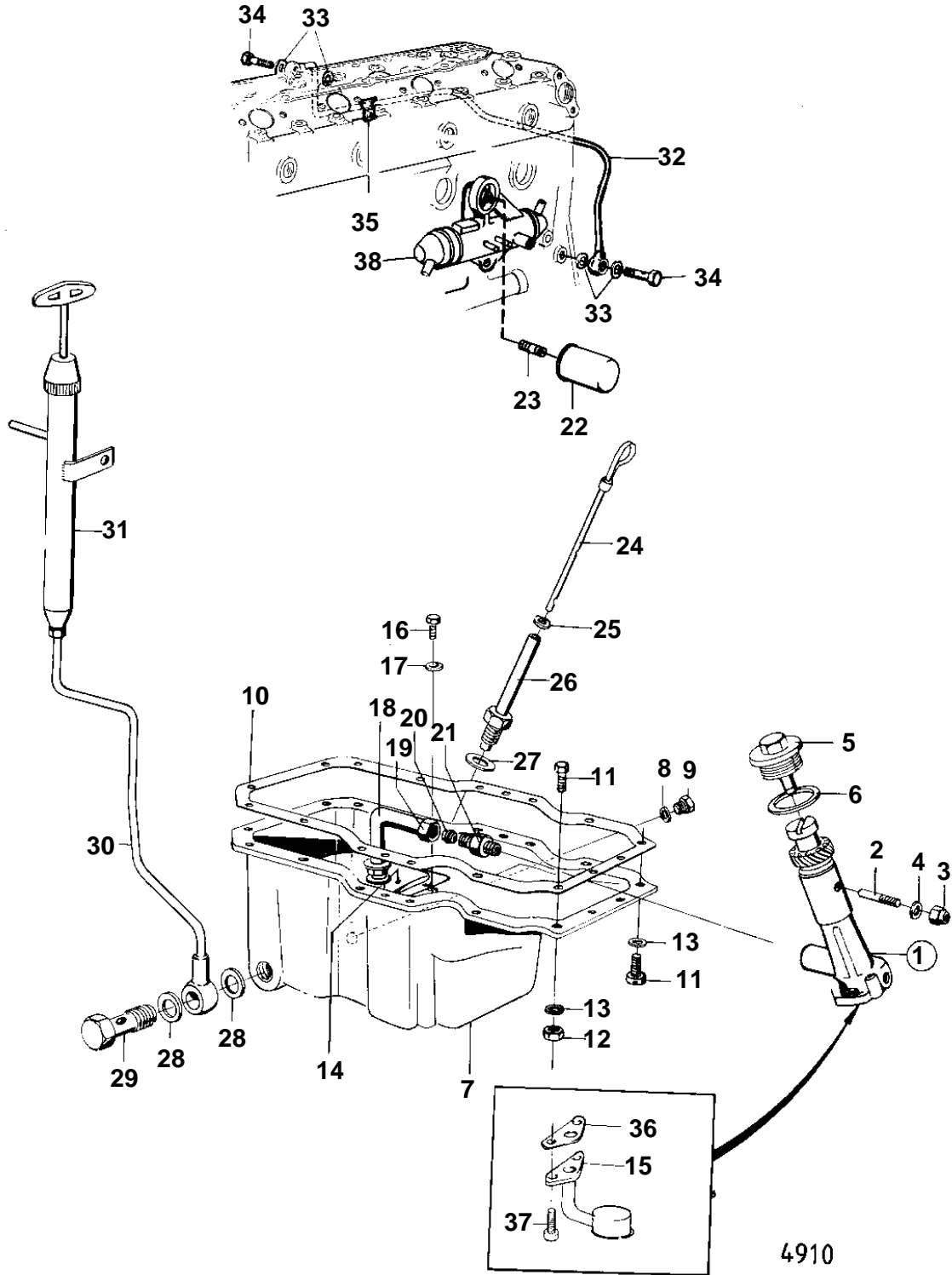


MD21A,AQD21A,MD21A/110S



MD21A,AQD21A,MD21A/110S

REF	PART NO.	QTY	DESCRIPTION	NOTES
1		1	OIL PUMP	FOR ENGINE WITH THE OIL TRAP INSTALLED IN THE CYLINDER BLOCK.
			COMPONENTS	
	840267	1	Oil pump	MO3119298/XXXX- (829559)
			COMPONENTS	
2	829060	1	Stud	
3	941696	1	Cap nut	
4	907132	1	Gasket	
5	818211	1	Plug	
6	826848	1	Washer	
7		1	OIL SUMP	FOR BB115 WITH BORG WARNER REVERSE GEAR. MO-3119297/XXXX
		1	OIL SUMP	MO-3127923/XXXX. NOT INCLUDED IN 829999.
	840265	1	Oil pan	MO3127924/XXXX-
8	15301	1	Gasket	IK MO-3127923/XXXX
	957179	1	Gasket	IK MO3127924/XXXX-
9	16376	1	Plug	MO-3127923/XXXX
	16374	1	Plug	MO3127924/XXXX-
10	818035	1	Gasket	IK
11	946515	20	Screw	
12	818071	2	Nut	
13	826845	20	Washer	
14	818274	1	Oil pump screen	MO-3119297/XXXX
15	829556	1	Oil pump screen	MO3119298/XXXX-
16	955268	3	Screw	MO-3119297/XXXX
17	941906	3	Spring washer	MO 3119298/XXXX-
18	826771	1	Tube	MO-3119297/XXXX
19	826511	1	Nut	MO-3119297/XXXX
20	826512	1	Fitting	MO-3119297/XXXX
21	826504	1	Fitting	MO-3119297/XXXX
22	418432	1	Oil filter	EARLY TYPE
	829390	1	Oil filter	LATE TYPE
23	781732	1	Nipple	EARLY TYPE
	829160	1	Fitting	LATE TYPE
24	829183	1	Oil dipstick	
25	818061	1	Gasket	IK EARLY TYPE
	945615	1	Gasket	IK LATE TYPE
26	829182	1	Tube	
27	957178	1	Gasket	IK
28	957181	2	Gasket	MO-3127923/XXXX
	957179	2	Gasket	MO3127924/XXXX-
29	26013	1	Hollow screw	MO-3127923/XXXX
	941686	1	Hollow screw	MO3127924/XXXX-
30	826873	1	Tube	MO-XXXX/82092
	829269	1	Oil scavenging pipe	MO-3127923/XXXX
	840266	1	Tube	MO3127924/XXXX-
31	826645	1	Oil bilge pump	MO-XXXX/82092
		1	OIL BILGE PUMP KIT	MO XXXX/82093- SEE GROUP 9
32	826518	1	Tube	
33	11992	4	Gasket	
34	826519	2	Hollow screw	
35	818276	1	Hose attachment	
36	829558	1	Gasket	MO3119298/XXXX-
37	955274	2	Screw	MO3119298/XXXX-
38		1	OIL COOLER AND INSTALLATION COMPONENTS	SEE GROUP 2B