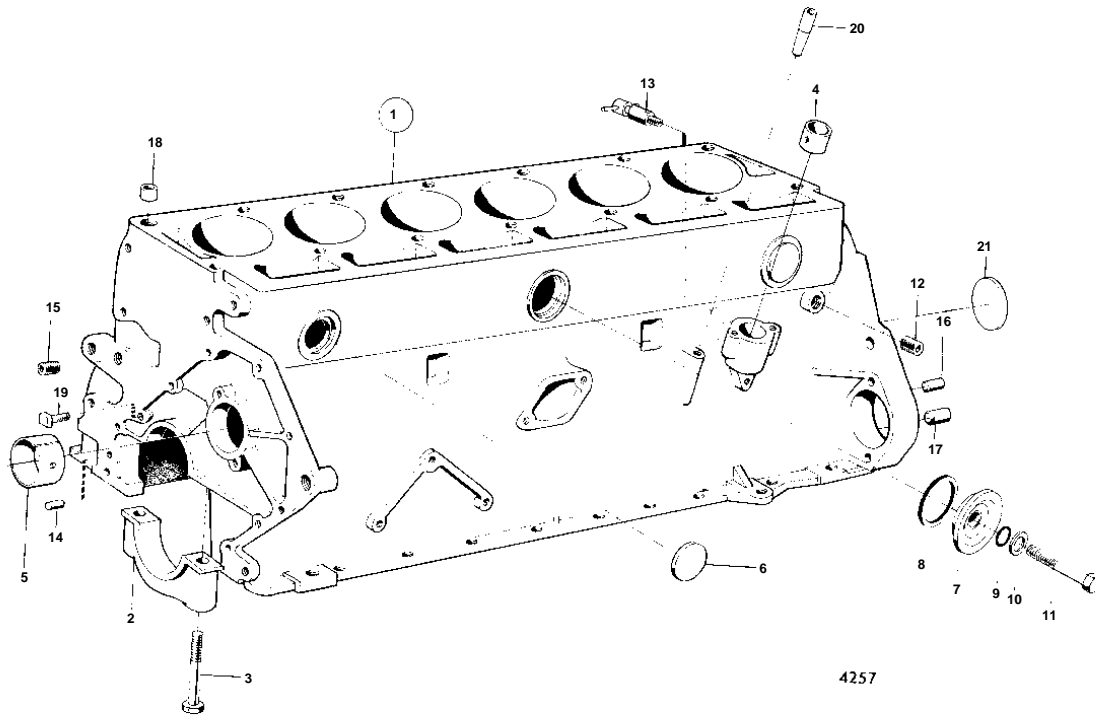


AQ165A,AQ170A,AQ170B,AQ170C,BB165A,BB170A,BB170B,BB170C



CYLINDER BLOCK

02A

AQ165A,AQ170A,AQ170B,AQ170C,BB165A,BB170A,BB170B,BB170C

| REF | PART NO. | QTY | DESCRIPTION | SEE SEC. | NOTES |
|-----|----------|-----|-----------------|----------|---------|
| 1 | 875460 | 1 | Cylinder block | | |
| 2 | | 7 | · BEARING CAP | | |
| 3 | 942852 | 14 | · Screw | | 1/2"UNC |
| | 945799 | 14 | · Screw | | M12 |
| 4 | 418251 | 1 | · Bushing | | |
| 5 | 430119 | 4 | · Bushing | | |
| 6 | 192212 | 8 | · Plug | | |
| 7 | 831309 | 1 | · Sealing cover | | |
| 8 | 925067 | 1 | · O-ring | IK | |
| 9 | 955980 | 1 | · O-ring | IK | |
| 10 | 955893 | 1 | · Washer | | |
| 11 | 940158 | 1 | · Screw | | |
| 12 | 952076 | 1 | · Plug | | |
| 13 | 831496 | 1 | · Tap | | |
| 14 | 950562 | 2 | Pin | | |
| 15 | 952075 | 2 | Plug | | |
| 16 | 950562 | 2 | Pin | | |
| 17 | 19730 | 2 | Locating pin | | |
| 18 | 415311 | 2 | Sleeve | | |
| 19 | 418416 | 1 | Oil jet | | |
| 20 | 418645 | 1 | Tube | 02A-1300 | |
| 21 | 463905 | 1 | Expansion plug | 02A-0700 | |