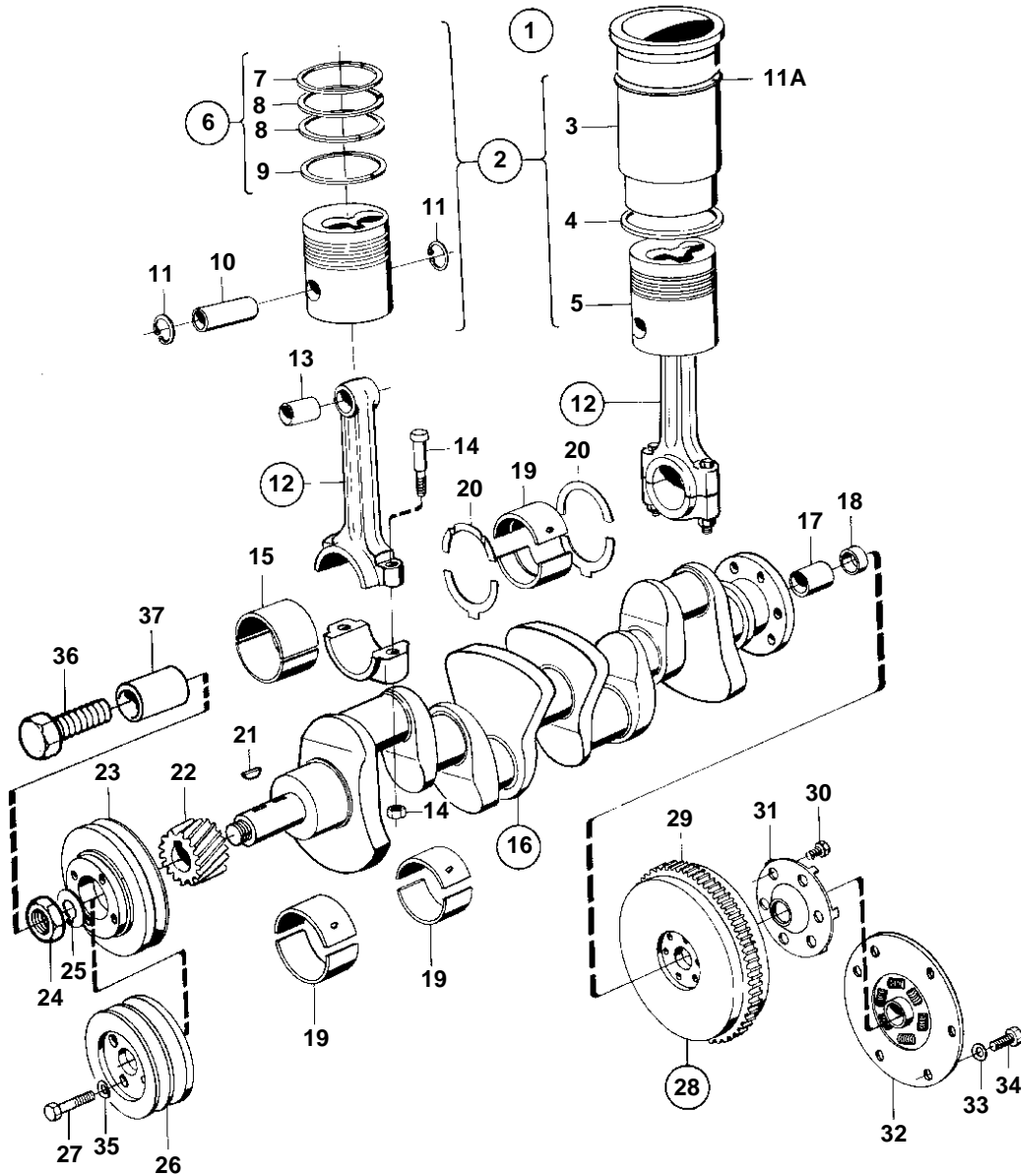


MD21A,AQD21A,MD21A/110S



5 569

MD21A,AQD21A,MD21A/110S

REF	PART NO.	QTY	DESCRIPTION		NOTES
1	829530	1	Cylinder liner kit		
2	829254	4	· Cylinder liner kit	IK	MO-3119179/XXXX
	829532	4	· Cylinder liner kit	IK	MO3119180/XXXX-
3		4	· · · CYLINDER LINER	IK	
4	818001	4	· · · Gasket	IK	
5		4	· · · PISTON	IK	
6	875377	4	· · · Piston ring kit	IK	
7		4	· · · · COMPRESSION RING	IK	
8		8	· · · · COMPRESSION RING	IK	
9		4	· · · · OIL SCRAPER RING	IK	
10	826841	4	· · · Piston pin	IK	STD D
	826842	4	· · · Piston pin		OVER SIZE 0,05 MM
	826843	4	· · · Piston pin		OVER SIZE 0,010 MM
11	914515	8	· · Lock ring	IK	
11A	829520	X	Adjusting washer kit		1EA 829520 CONSISTS OF 4 SHIMS.
12	829308	4	Connecting rod		MARKED 2. REPL EARLY TYPE MARKED: 5-4-3-2-1-A-B.IF OTHER MARKING IS STAMPED 4EA 829308 HAVE TO BE USED.
13	818029	4	· Bushing		STD D
	818277	4	· Bushing		OVER SIZE 0,3 MM
14	826835	8	· Screw		
15	875302	1	Big end bearing kit		STD D
	875303	1	Big end bearing kit		UNDER SIZE 0,30 MM
	875304	1	Big end bearing kit		UNDER SIZE 0,50 MM
	875305	1	Big end bearing kit		UNDER SIZE 0,80 MM
16	826834	1			USED ON CRANKSHAFT 826834.
	829999	1	Crankshaft		
17	818177	1	· Bushing		REPLACED BY 1EA 840539 BRACKET (8 HOLES), 9EA 941907 6EA 955297, 2EA 955298.
18	818178	1	· Sealing ring	IK	REPLACED BY 1EA 840539 BRACKET (8 HOLES), 9EA 941907 6EA 955297, 2EA 955298.
19	875306	1	Main bearing kit		STD D
	875307	1	Main bearing kit		UNDER SIZE 0,30 MM
	875308	1	Main bearing kit		UNDER SIZE 0,50 MM
	875309	1	Main bearing kit		UNDER SIZE 0,80 MM
20	818262	2	Washer		STD D
	818015	2	Washer		OVER SIZE 0,20 MM
21	818223	2	Key		MO-3122138
	947397	2	Key		MO3122139-
22	818030	1	Gear		
23	818179	1	Pulley		STD
24	829036	1	Nut		(818019). EXCL SPEC 867560 867561 867562 867563 867564 867565.
25	15181	1	Lock washer		MO-3106775/XXXX
26	819296	1	Pulley		SPEC VERSION
27	955300	4	Screw		SPEC VERSION
28	826703	1	Flywheel		
29	826708	1	· Gear ring		
30	826768	6	Screw		
31	826769	1	Washer		
32	841892	1	Absorber		(829476). AQD21A/250 AND MD21A, MD21B WITH VOLVO PENTA REDUCTION REVERSE GEAR.
	841893	1	Absorber		(824991). AQD21A/270, AQD21A/280, AQD21B/280.
	841894	1	Absorber		(829132). MD21A/110S, MD21B/110S, MD21A, MD21B WITH BORG WARNER REVERSE GEAR AND MS3 REVERSE GEAR.
33	941907	6	Spring washer		
34	102701	6	Screw		
35	941907	4	Spring washer		
36	830000	1	Screw		SPEC 867560 867561 867562 867563 867564 867565.
37	840160	1	Spacer sleeve		SPEC 867560 867561 867562 867563 867564 867565.