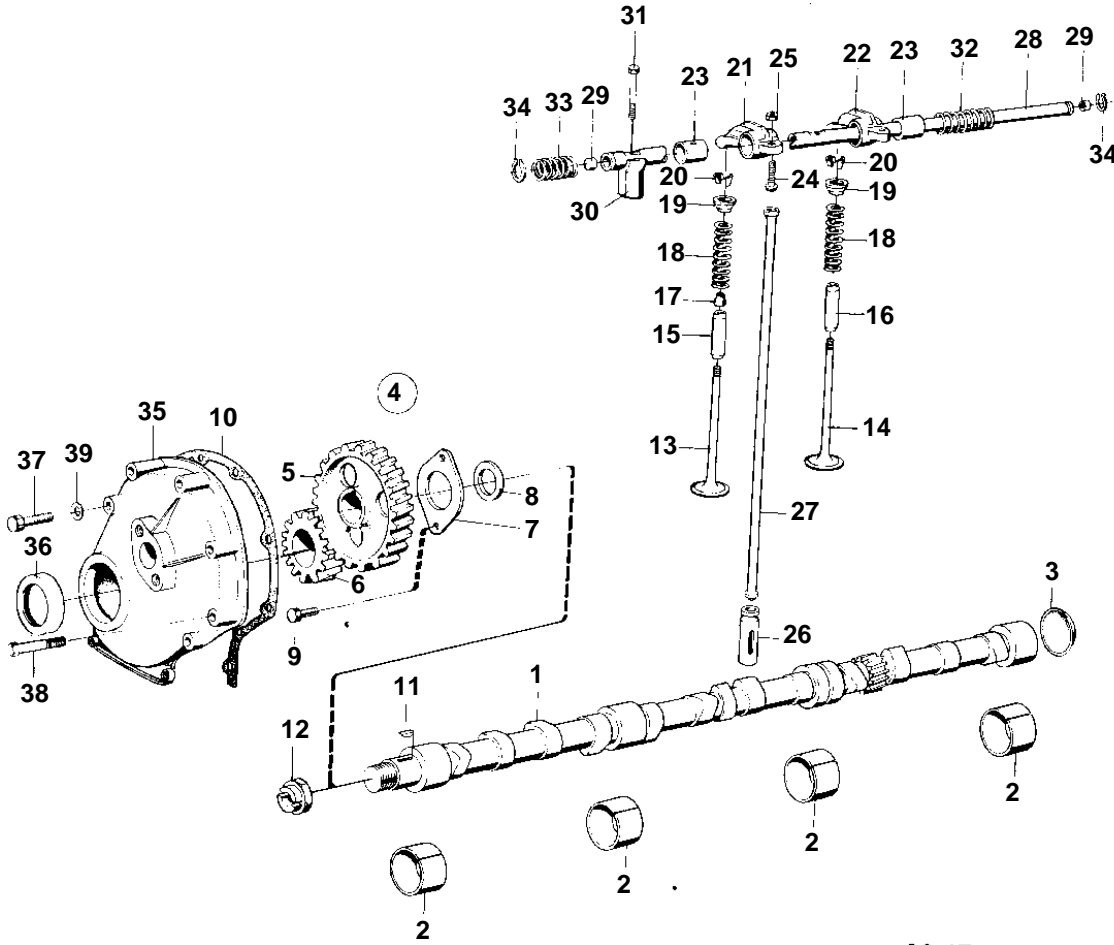


AQ170B,AQ170C,BB170B,BB170C



33 47

AQ170B,AQ170C,BB170B,BB170C

REF	PART NO.	QTY	DESCRIPTION	SEE SEC.	NOTES
1	461511	1	Camshaft		
2	430119	4	Bushing	02A-0200	
3	463905	1	Expansion plug	02A-0200	
4	875375	1	Gear set		
5		1	· CAMSHAFT GEAR	IK	
6		1	· CRANKSHAFT GEAR	IK	
7		1	· THRUST FLANGE	IK	
8	418363	1	· Spacer ring	IK	
9	943455	2	· Screw	IK	
10	430133	1	· Gasket	IK	
11	910118	1	Woodruff key		
12	806214	1	Nut		
13	462997	6	Valve		D = 44 MM
14	419735	6	Exhaust valve		
15	419652	6	Valve guide, INTAKE	02A-1050	
16	419653	6	Valve guide, EXHAUST	02A-1050	
17	1306630	6	Valve seal	IK	
18	418737	12	Valve spring		
19	460181	12	Washer		
20	419643	24	Valve collet		
21	418298	6	Rocker arm		NO. 2-4-6-8-10-12
22	418301	6	Rocker arm		NO. 1-3-5-7-9-11
23	418297	12	· Bushing		
24	418286	12	· Ball stud		
25	921781	12	· Nut		
26	1218630	12	Tappet		
27	430121	12	Push rod		
28	430026	1	Rocker arm shaft		
29	955083	2	· Cap plug		
30	418206	6	Bearing bracket		
31	191689	6	Screw		
32	418426	5	Spring		
33	411140	2	Spring		
34	914456	2	Lock ring		
35	831011	1	Timing gear casing		
36	1276424	1	Sealing ring	IK	(1266605)
37	955514	4	Screw		L = 25 MM
38	940158	5	Screw		L = 45 MM
39	941906	9	Spring washer		