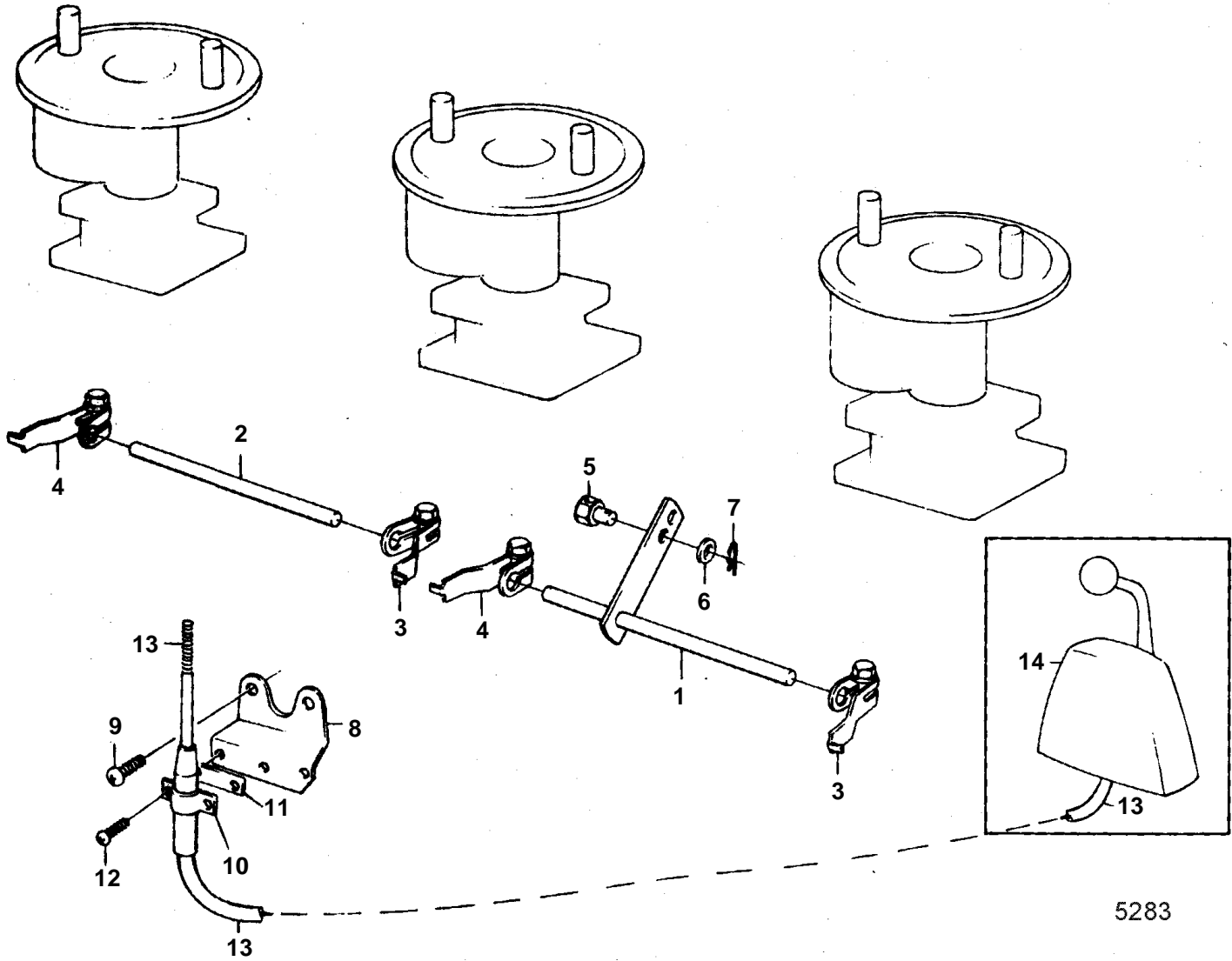


AQ170A,AQ170B,AQ170C,BB170A,BB170B,BB170C



5283

AQ170A,AQ170B,AQ170C,BB170A,BB170B,BB170C

REF	PART NO.	QTY	DESCRIPTION	NOTES
1	831210	1	Shaft	
2	824676	1	Countershaft	
3	668558	2	Lever	
4	668559	2	Lever	
5	804312	1	Cube	
6	940191	1	Washer	
7	17276	1	Cotter pin	
8	831206	1	Bracket	
9	950046	2	Screw	
10	819068	1	Washer	
11	819067	1	Brace	
12	831838	2	Screw	
13		X	CONTROL CABLE	SEE GROUP 9
14		X	CONTROL	SEE GROUP 9