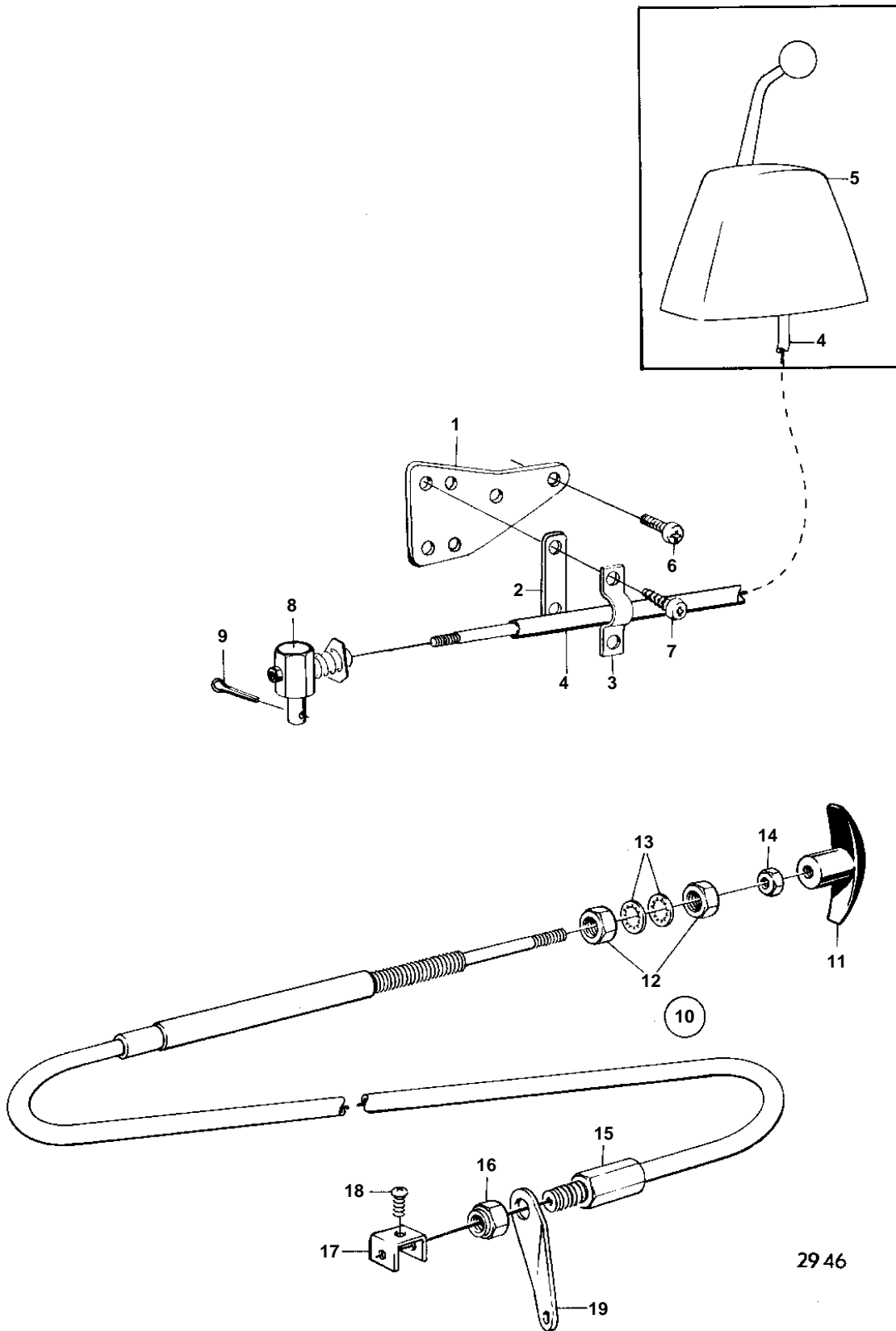


MD21A,AQD21A,MD21A/110S



MD21A,AQD21A,MD21A/110S

REF	PART NO.	QTY	DESCRIPTION	NOTES
1	829242	1	Bracket	
2	819068	1	Washer	
3	819067	1	Brace	
4		X	CONTROL CABLE	SEE GROUP 9
5		X	CONTROL	SEE GROUP 9
6	950021	4	Screw	MO-XXXX/62833
	950021	2	Screw	MOXXXX/62834-
7	956076	2	Screw	MOXXXX/62834-
8	814078	1	Cube	SEE GROUP 2C
9	17276	1	Cotter pin	SEE GROUP 2C
10	818470	1	Control cable	
11	829241	1	· Handle	
12	955857	2	· Nut	
13	955950	2	· Lock washer	
14	955844	1	· Nut	
15		1	CABLE LOCK	M8X1,25, EARLY TYPE. REPLACED BY 1EA 881532,1 ST 881191,1 ST 843401.
	829070	1	Cable lock	5/16"-18UNC, LATER PROD
16	826633	1	Nut	EARLY TYPE
	950363	1	Nut	5/16"-18UNC, LATER PROD
17	818472	1	Cable clamp	
18	956059	1	Screw	
19	826529	1	Bracket	SEE GROUP 2C