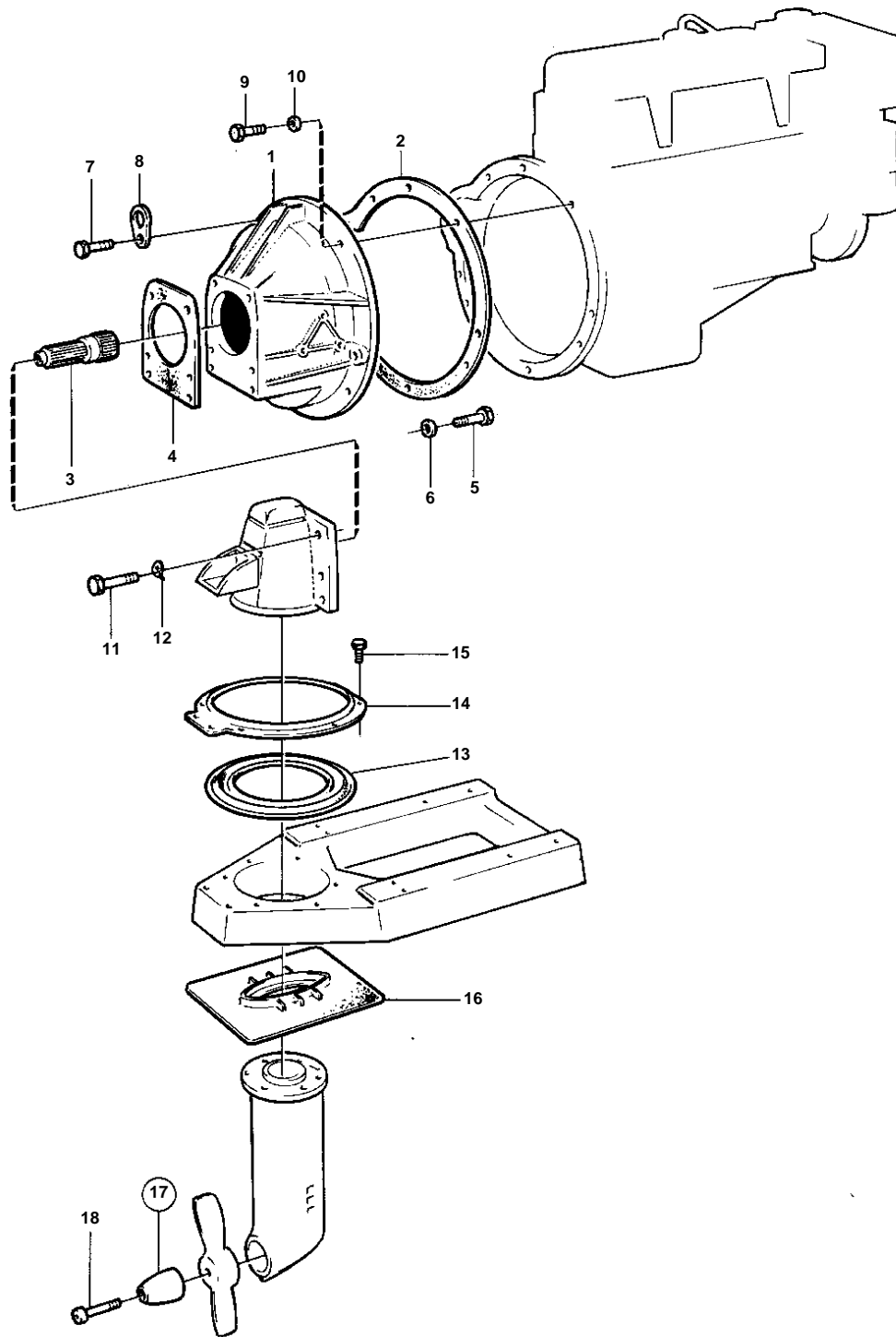


MD21A/110S



5317

MD21A/110S

REF	PART NO.	QTY	DESCRIPTION	SEE SEC.	NOTES
1	851346	1	Flywheel housing		
2	826765	1	Gasket		
3	851241	1	Axle shaft		
4	850345	1	Gasket		
5	955297	1	Screw		L = 25 MM
6	955894	1	Washer		
7	955318	1	Screw		L = 30 MM
8		1	LIFT EYE		
9	940142	2	Screw		L = 30 MM
	955319	1	Screw		L = 35 MM
10	955895	1	Washer		
	955894	2	Washer		
11	955322	6	Screw		
12	955895	6	Washer		
13	850265	1	Sealing strip		
			Bulletin 48-10	48-10-EN	Sealing Strip
14	850079	1	Clamping ring		
15	946730	6	Screw		
16	850353	1	Cover plate		
17	850396	1	Propeller cone kit		SEE GROUP 4C
18	851773	1	• Screw		(949325)