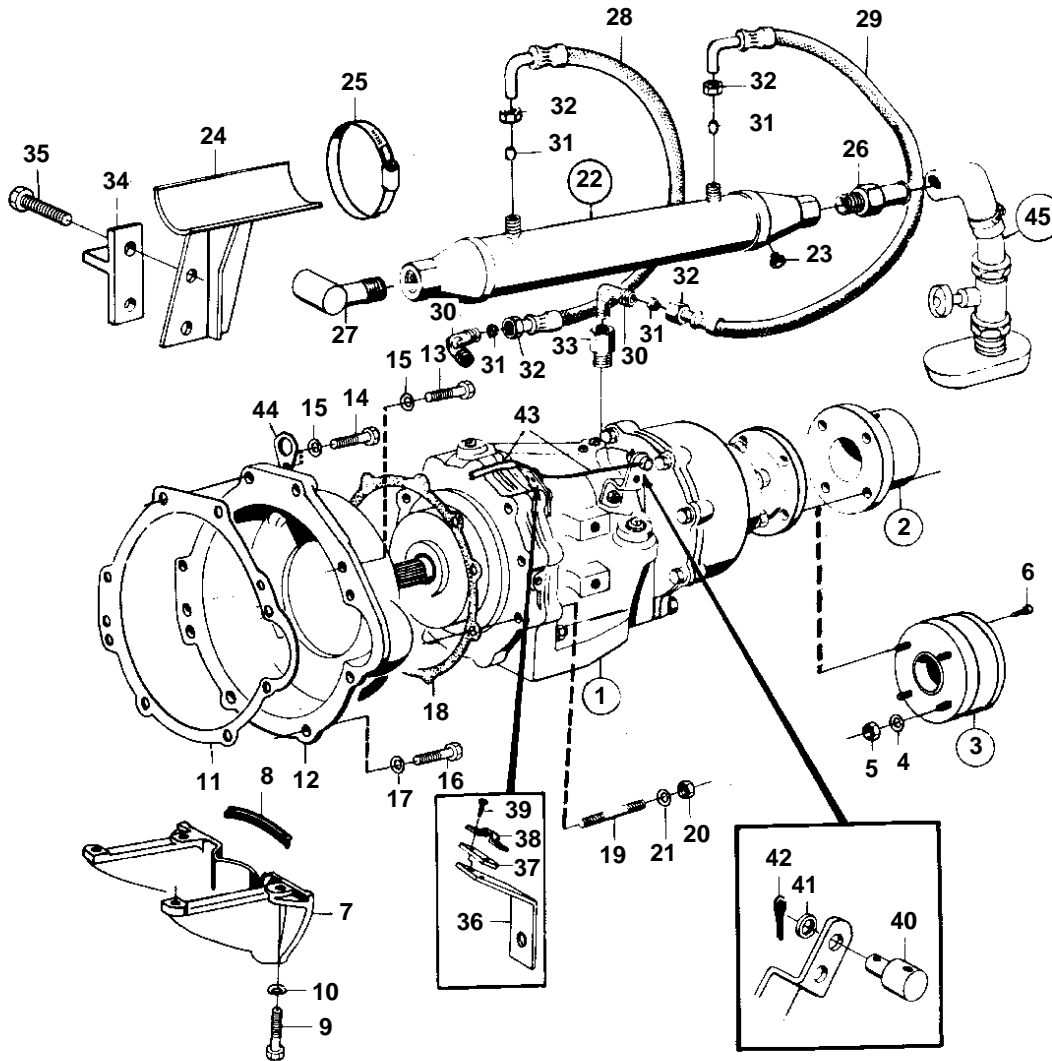


BB165A, BB170A, BB170B, BB170C



4839

BB165A,BB170A,BB170B,BB170C

REF	PART NO.	QTY	DESCRIPTION	NOTES
1	829455	1		4" PROPELLER SHAFT FLANGE.
	829456	1	, 5:1	BW AS2-71CR. 4" PROPELLER SHAFT FLANGE.
	829457	1	, 91:1	BW AS7-71CR. REPLACED BY REVERSE GEAR 834707, FLANGE 819105.. 4" PROPELLER SHAFT FLANGE.
	834707	1	, 91:1	BW AS7-71CR. 5" PROPELLER SHAFT FLANGE.
	829458	1	, 1:1	BW AS3-71CR. REPLACED BY REVERSE GEAR 834708, FLANGE 819105.. 4" PROPELLER SHAFT FLANGE.
	834708	1	, 1:1	BW AS3-71CR. 5" PROPELLER SHAFT FLANGE.
	829459	1	, 91:1	BW AS15-71CR. REPLACED BY REVERSE GEAR 834709.. 5" PROPELLER SHAFT FLANGE.
	834709	1	, 91:1	BW AS15-71CR. 5" PROPELLER SHAFT FLANGE.
			COMPONENTS	
2		1	PROPELLER SHAFT FLANGE	SEE GROUP 9
3	829252	1	Elastic clutch	5" PROPELLER SHAFT FLANGE.. PREDRILLED.
4	941909	4	· Spring washer	
5	940157	4	· Nut	
6	959241	6	· Screw	
7	430116	1	Bracket	
8	831074	1	Sealing strip	IK
9	955535	4	Screw	L = 32 MM
10	942336	4	Spring washer	
11	831075	1	Gasket	IK
12	831004	1	Flywheel housing	
13	940160	3	Screw	L = 38 MM
14	955549	1	Screw	L = 45 MM
15	941909	4	Spring washer	
16	940162	2	Screw	L = 38 MM
17	942336	2	Spring washer	
18	803921	1	Gasket	IK
19	953529	6	Stud	
20	940157	5	Nut	
	955836	1	Nut	
21	941909	6	Spring washer	
22	829256	1	Oil cooler	
23	180759	2	· Plug	
24	831173	1	Bracket	
25	943478	2	Clamp	(951794)
26	801769	1	Hose attachment	
27	180293	1	Nipple	SEE GROUP 2B
28	829260	1	Hose	L = 500 MM EARLY TYPE
29	829259	1	Hose	L = 360 MM LATE TYPE
	829259	1	Hose	L = 360 MM
30	941757	4	Nipple	EARLY TYPE
	941757	2	Nipple	LATE TYPE
31	956970	4	Ferrule	
32	956984	4	Nut	
33	804533	1	Nipple	
34	827127	1	Bracket	SEE GROUP 2A
35	940134	2	Screw	SEE GROUP 2A
36	831175	1	Bracket	
37	819068	1	Washer	
38	819067	1	Brace	
39	950021	2	Screw	
40	804312	1	Cube	
41	940191	1	Washer	
42	17276	1	Cotter pin	
43			CONTROL CABLE	SEE GROUP 9
44		1	LIFT EYE	
45		1	COOLING WATER INTAKE	SEE GROUP 9
		1	COUPLING FLANGE	SEE GROUP 9