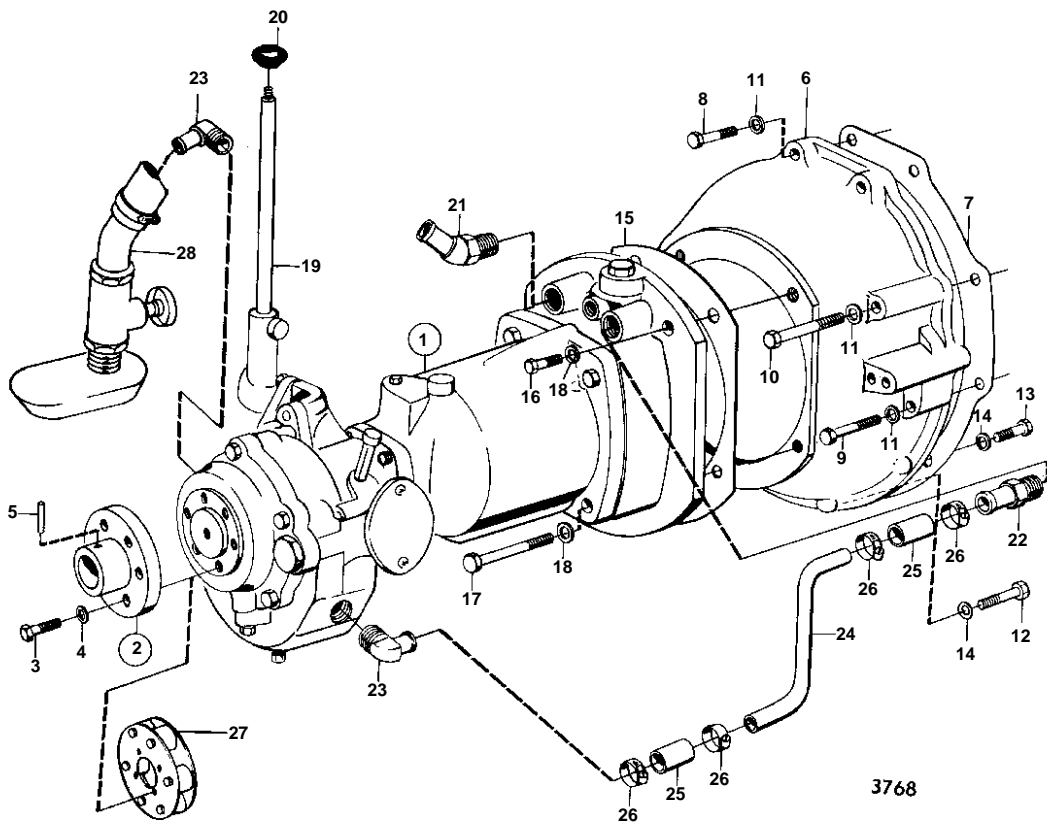


BB115A, BB115B, BB115C, MB20A, MB20B, MB20C



BB115A, BB115B, BB115C, MB20A, MB20B, MB20C

REF	PART NO.	QTY	DESCRIPTION	NOTES
1	820201	1		
			COMPONENTS	SEE GROUP 4B
2	833750	1	Companion flange	DRILLED 35MM.
3	955675	6	· Screw	
4	942336	6	· Spring washer	
5	907599	1	· Pin	
6	806273	1	Flywheel housing	
7	806272	1	Gasket	
8	940160	2	Screw	L = 38 MM
	955342	2	Screw	L = 40 MM
9	955550	1	Screw	L = 51 MM
	955344	1	Screw	L = 50 MM
10	940184	1	Screw	L = 95 MM
	955352	1	Screw	L = 100 MM
11	941909	4	Spring washer	I.D = 11,5 MM
	940280	4	Spring washer	I.D = 13,5 MM
12	955525	1	Screw	L = 25 MM
13	940186	2	Screw	L = 38 MM
14	941907	3	Spring washer	
15	802696	1	Gasket	
16	955535	2	Screw	L = 32 MM
17	955540	2	Screw	L = 70 MM
18	942336	4	Spring washer	
19	802743	1	Control lever	
20	60544	1	Handle	
21	804429	1	Hose attachment	SEE GROUP 2B
22	804426	1	Hose attachment	MO-XXXX/59517
	827937	1	Hose connection	MOXXXX/59518-
23	827343	2	Hose connection	
24	827344	1	Tube	
25	943368	X	Rubber hose	L = 50 MM
26	943472	4	Hose clamp	(951788)
27	819153	1	Rubber coupling	SEE GROUP 9
28		1	COOLING WATER INTAKE	SEE GROUP 9