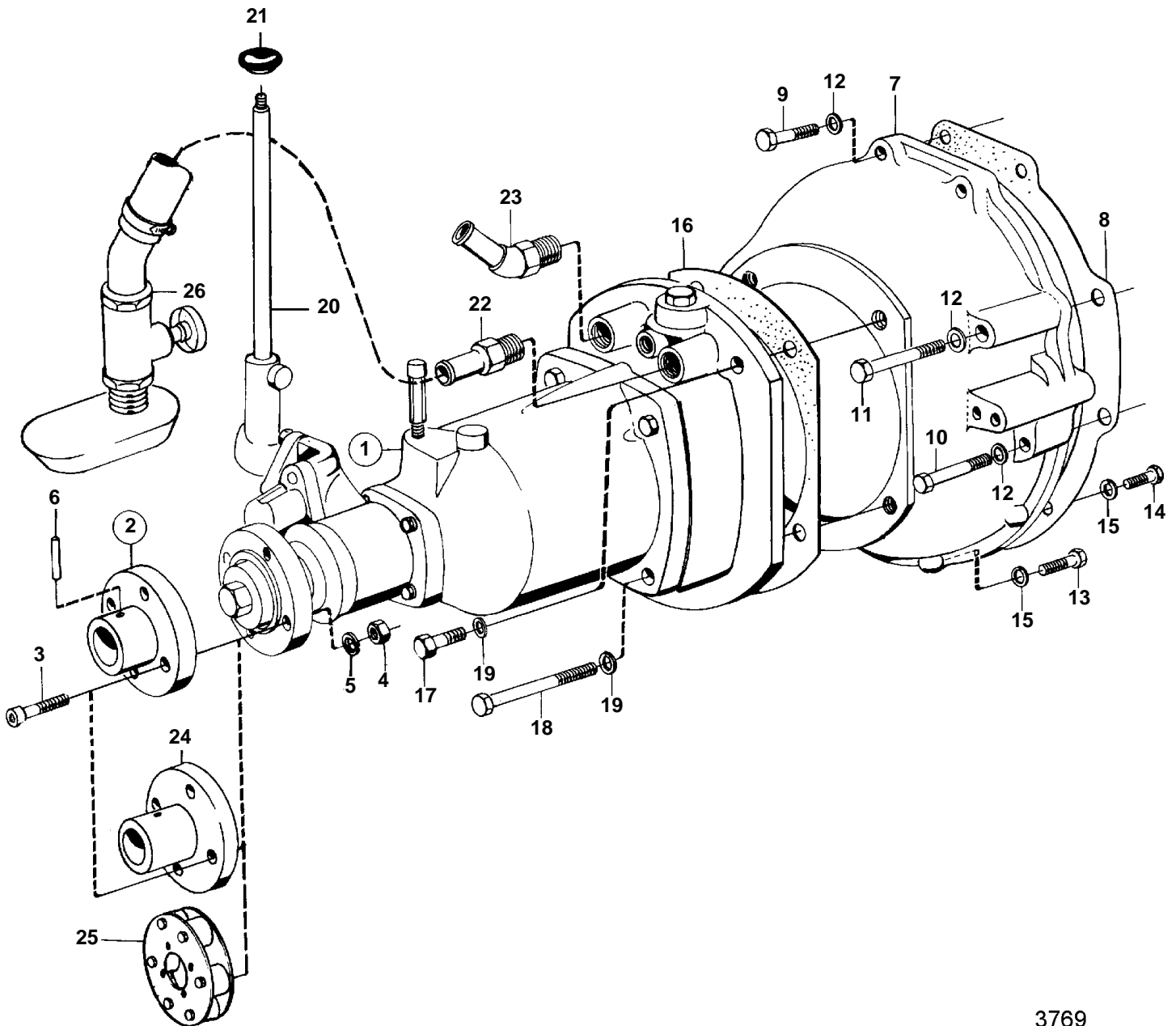


BB115A, BB115B, BB115C, MB20A, MB20B, MB20C



3769

BB115A,BB115B,BB115C,MB20A,MB20B,MB20C

REF	PART NO.	QTY	DESCRIPTION	NOTES
1	817567	1	Reversing gear COMPONENTS	SEE GROUP 4B
2	806385	1	Companion flange	STD. DRILLED 30MM.
3	959239	4	· Screw	
4	955783	4	· Nut	
5	941908	4	· Spring washer	
6	907599	1	· Pin	
7	806273	1	Flywheel housing	
8	806272	1	Gasket	
9	940160	2	Screw	L = 38 MM
	955342	2	Screw	L = 40 MM
10	955550	1	Screw	L = 51 MM
	955344	1	Screw	L = 50 MM
11	940184	1	Screw	L = 95 MM
	955352	1	Screw	L = 100 MM
12	941909	4	Spring washer	I.D = 11,5 MM
	940280	4	Spring washer	I.D = 13,5 MM
13	955525	1	Screw	L = 25 MM
14	940186	2	Screw	L = 38 MM
15	941907	3	Spring washer	
16	802696	1	Gasket	IK
17	955535	2	Screw	L = 32 MM
18	955540	2	Screw	L = 70 MM
19	942336	4	Spring washer	
20	802743	1	Control lever	
21	60544	1	Handle	
22	804426	1	Hose attachment	MO-XXXX/59517
	827937	1	Hose connection	MOXXXX/59518-
23	804429	1	Hose attachment	SEE GROUP 2B
24	803165	1	Flange	MB20B. DRILLED 35MM.
	827927	1	Clamp coupling	SEE GROUP 9
25	819153	1	Rubber coupling	SEE GROUP 9
26		1	COOLING WATER INTAKE	SEE GROUP 9