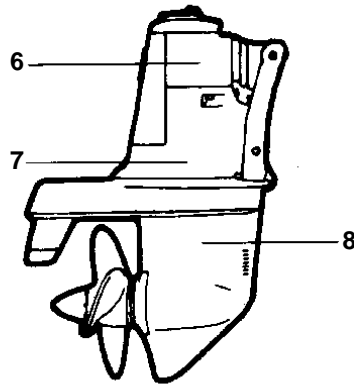
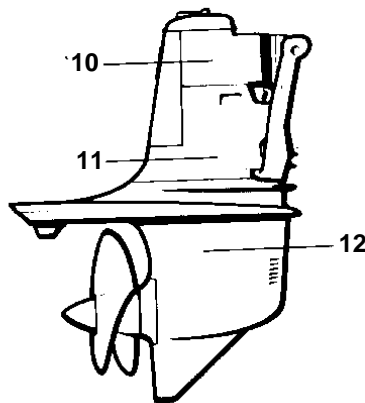


①



⑤



⑨

3440

REF	PART NO.	QTY	DESCRIPTION	SEE SEC.	NOTES
1		1	Drive		NOT INCLUDED IN UPPER GEAR UNIT, RATIO 1,66:1
		1	Drive		USED TOGETHER WITH 832314, REPLACED BY 1EA 852161, 1EA 851267., RATIO 1,66:1
		1	Drive		RATIO 1,66:1
		1	Drive		REPLACED BY 1EA 852161, 1EA 851267., RATIO 1,66:1
2		1	· UPPER GEAR UNIT 100	12900	
		1	· UPPER GEAR UNIT 100B	12903	
3		1	· INTERM HOUSING 100	12901	
		1	· INTERM HOUSING 100B	12904	
4		1	· LOWER GEAR UNIT 100	12902	
		1	· LOWER GEAR UNIT 100B	12905	
	875129	1	Gasket kit		SEE GROUP 10
	875389	1	Gasket kit		SEE GROUP 10
10				12917	
				12917	
				12917	