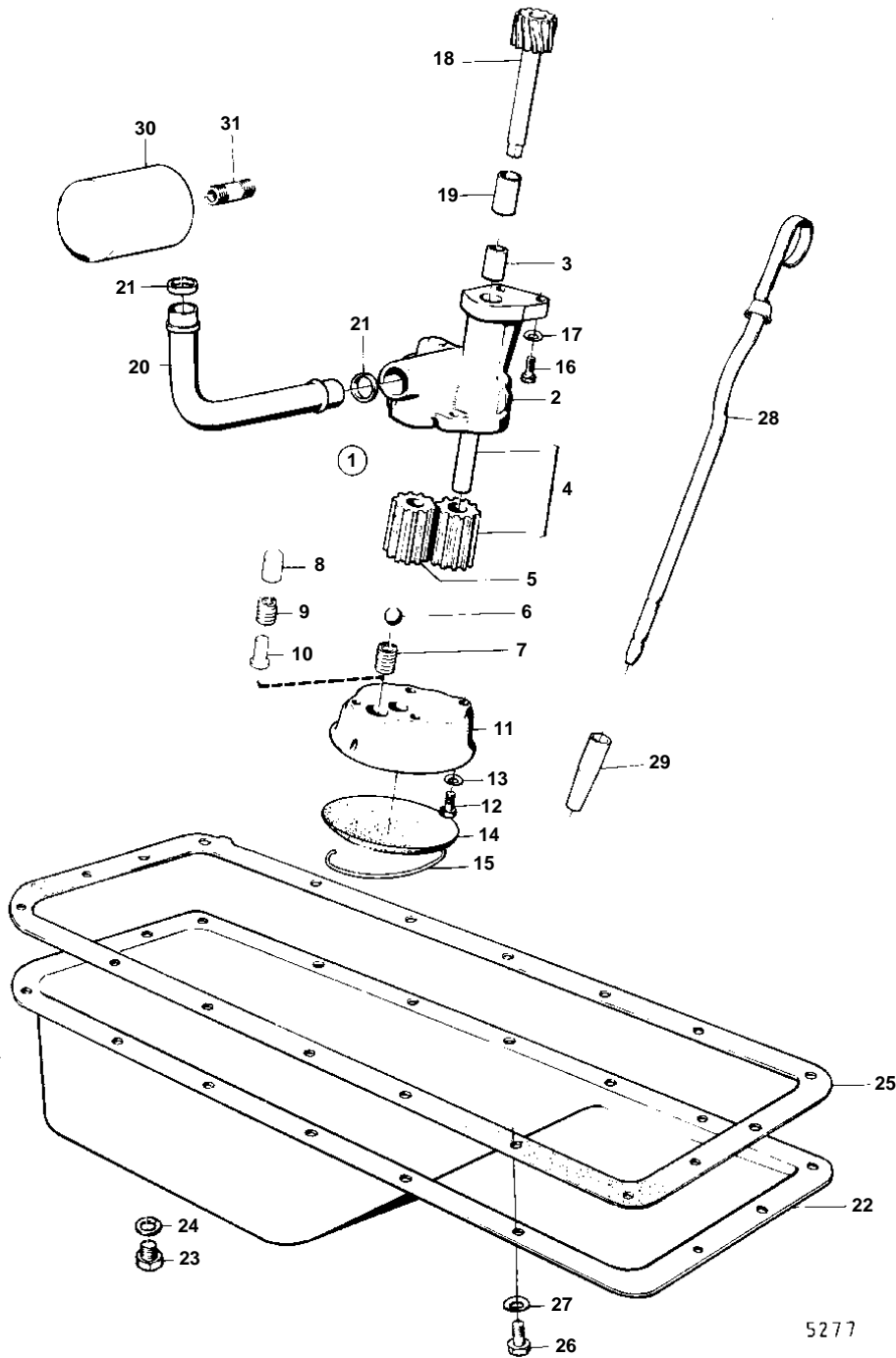


AQ115A, AQ115B, AQ130A, AQ130B, AQ130C, AQ130D



5277

AQ115A, AQ115B, AQ130A, AQ130B, AQ130C, AQ130D

| REF | PART NO. | QTY | DESCRIPTION | SEE SEC. | NOTES |
|-----|----------|-----|----------------------|----------|-----------------------|
| 1 | | 1 | Oil pump | | |
| 2 | | 1 | · HOUSING | | |
| 3 | | 2 | · Bushing | | EARLY TYPE |
| | 415311 | 1 | · Guide sleeve | | LATE TYPE |
| 4 | | 1 | · Gear | | |
| 5 | 430114 | 1 | · Gear | | |
| 6 | | 1 | · Ball | | MO-13164/XXXX |
| 7 | | 1 | · Compression spring | | MO-13164/XXXX |
| 8 | | 1 | · Piston | | MO13165/XXXX- |
| 9 | 1219536 | 1 | · Spring | | MO13165/XXXX- |
| 10 | 1219666 | 1 | · Locating pin | | MO13165/XXXX- |
| 11 | | 1 | · Cover | | (419543) |
| 12 | 955513 | 2 | · Hexagon screw | | L = 19 MM |
| | 940117 | 2 | · Hexagon screw | | L = 32 MM |
| 13 | 941906 | 4 | · Spring washer | | |
| 14 | | 1 | · Strainer | | |
| 15 | | 1 | · Lock brace | | |
| 16 | 940135 | 2 | Hexagon screw | | |
| 17 | 941907 | 2 | Spring washer | | |
| 18 | | 1 | Gear | | |
| 19 | 418251 | 1 | Bushing | 12737 | |
| 20 | | 1 | Delivery pipe | | |
| 21 | 829714 | 2 | Sealing ring | | (418360) |
| 22 | | 1 | Sump | | |
| 23 | 948187 | 1 | Plug | | |
| 24 | 18818 | 1 | Gasket | | |
| 25 | 463587 | 1 | Gasket | | (1266082) |
| 26 | 942624 | 18 | Flange screw | | L = 1/2" |
| 27 | 941907 | 18 | Spring washer | | |
| 28 | | 1 | Oil dipstick | | |
| 29 | | 1 | Tube | 12737 | |
| 30 | 1266286 | 1 | Oil filter | | SEE GROUP 2B (418432) |
| 31 | | 1 | Nipple | | SEE GROUP 2B |