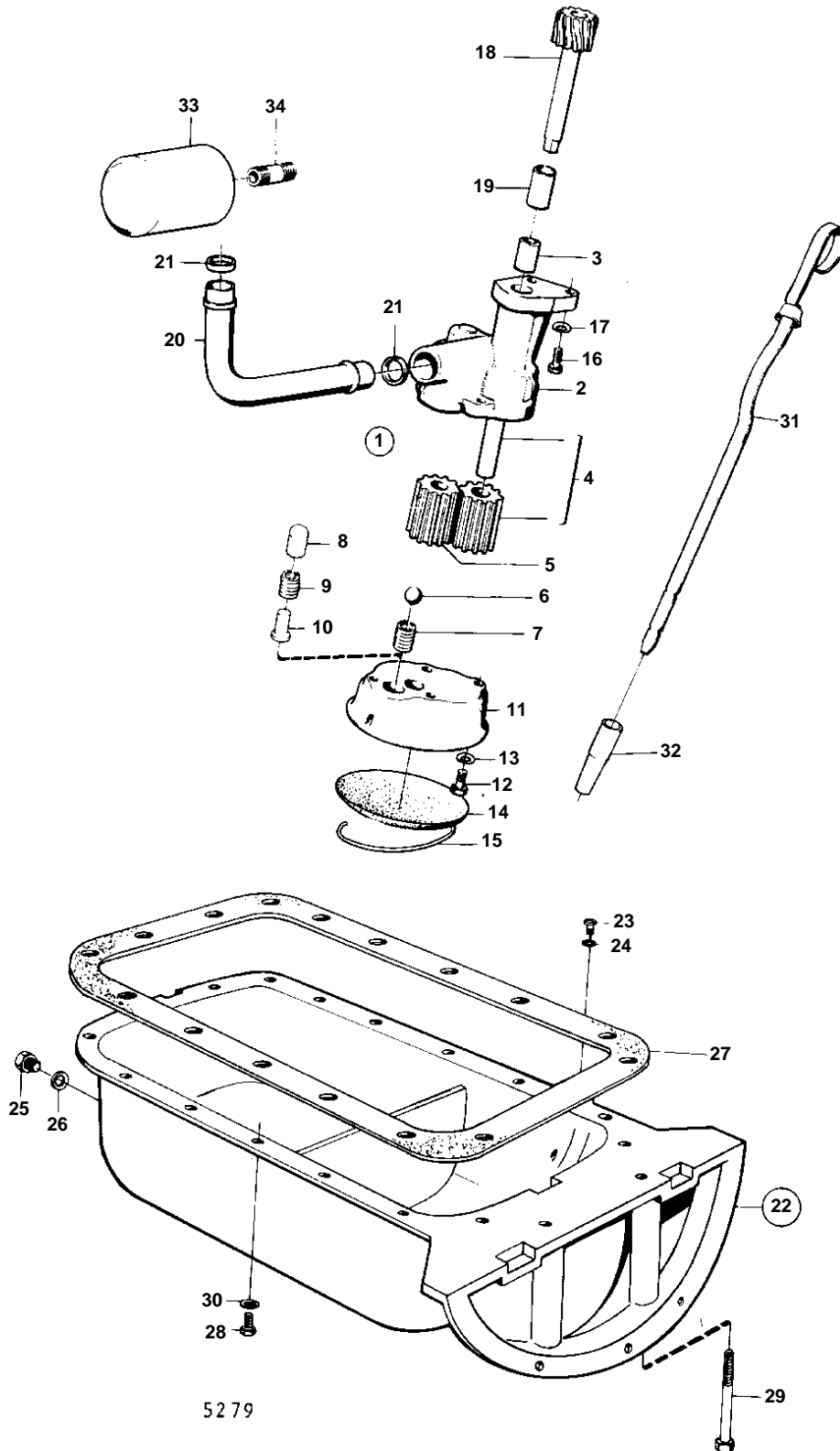


BB115A, BB115B, BB115C, MB20B, MB20C



BB115A, BB115B, BB115C, MB20B, MB20C

REF	PART NO.	QTY	DESCRIPTION	SEE SEC.	NOTES
1		1	Oil pump		
2		1	· HOUSING		
3		2	· Bushing		EARLY TYPE
	415311	1	· Guide sleeve		LATE TYPE
4		1	· Gear		
5	430114	1	· Gear		
6		1	· Ball		MO-13164/XXXX
7		1	· Compression spring		MO-13164/XXXX
8		1	· Piston		MO13165/XXXX-
9	1219536	1	· Spring		MO13165/XXXX-
10	1219666	1	· Locating pin		MO13165/XXXX-
11		1	· Cover		(419543)
12	955513	2	· Hexagon screw		L = 19 MM
	940117	2	· Hexagon screw		L = 32 MM
13	941906	4	· Spring washer		
14		1	· Strainer		
15		1	· Lock brace		
16	940135	2	Hexagon screw		
17	941907	2	Spring washer		
18		1	Gear		
19	418251	1	Bushing	12737	
20		1	Delivery pipe		
21	829714	2	Sealing ring		(418360)
22		1	Sump		
23	804262	1	· Plug		
24	804261	1	· Gasket		
25	948187	1	Plug		
26	191747	1	Washer		
27	463587	1	Gasket		(1266082)
28	955525	16	Hexagon screw		L = 1"
29	959793	2	Hexagon screw		L = 4 1/2"
30	941907	18	Spring washer		
31		1	Oil dipstick		
32		1	Tube, PIPE	12737 12743	
33	1266286	1	Oil filter		SEE GROUP 2B (418432)
34		1	Nipple		