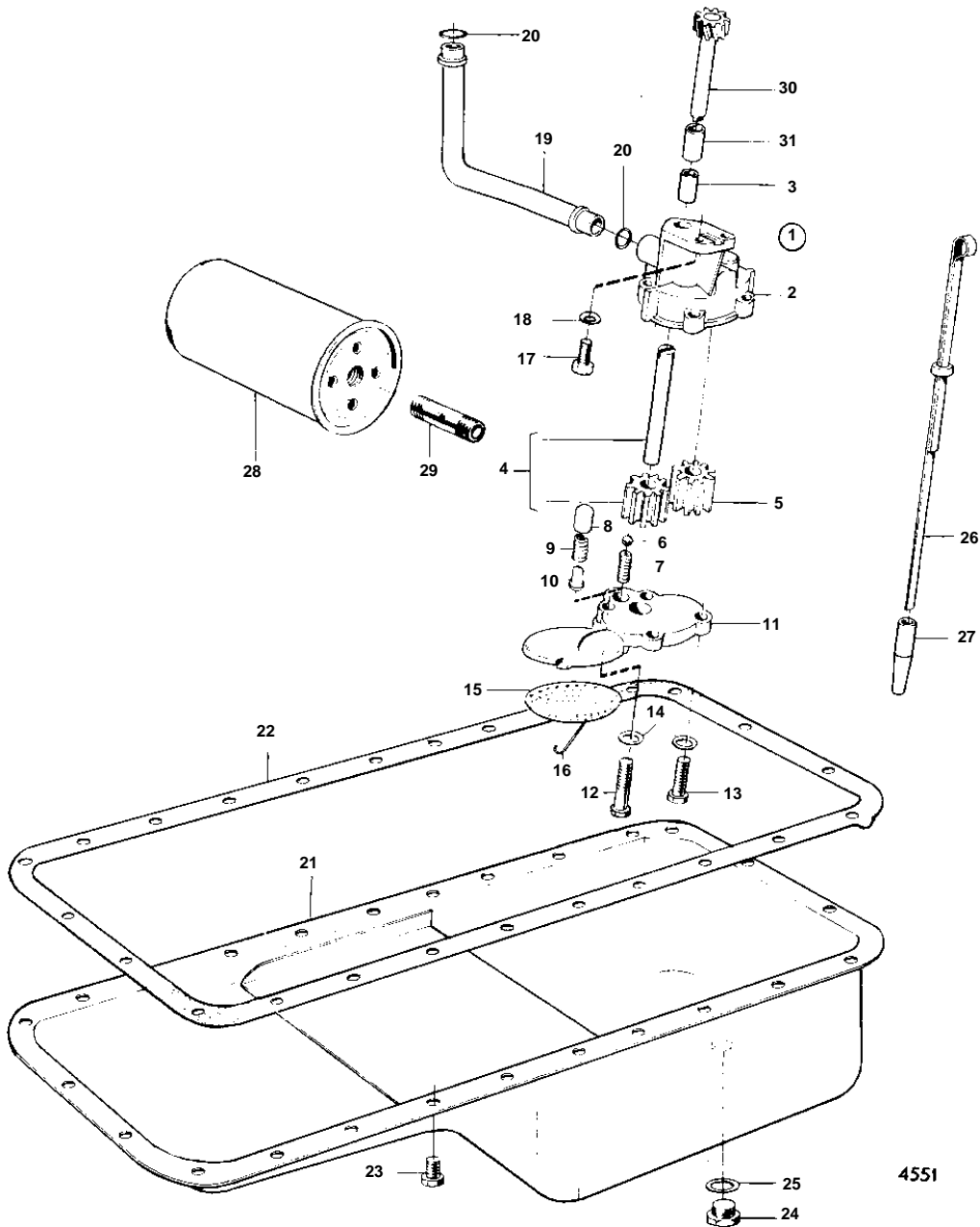


AQ165A



4551

AQ165A

REF	PART NO.	QTY	DESCRIPTION	SEE SEC.	NOTES
1		1	Oil pump		(430190)
2		1	· HOUSING		
3		2	· Bushing		EARLY TYPE
	415311	1	· Guide sleeve		LATE TYPE
4		1	· Gear		
5	430114	1	· Gear		
6		1	· Ball		MO-6565/XXXX
7		1	· Compression spring		MO-6565/XXXX
8		1	· Piston		MO6566/XXXX-
9	1219536	1	· Spring		MO6566/XXXX-
10	1219666	1	· Locating pin		MO6566/XXXX-
11		1	· Cover		(430199)
12	955515	1	· Hexagon screw		L = 38 MM
13	955514	3	· Hexagon screw		L = 25 MM
14	941906	4	· Spring washer		
15		1	· Strainer		
16		1	· Lock brace		
17	940135	2	Hexagon screw		
18	941907	2	Spring washer		
19		1	Delivery pipe		
20	829714	2	Sealing ring		(418360)
21		1	Sump		
22	461113	1	Gasket		
23	942624	24	Flange screw		
24	948187	1	Plug		
25	18818	1	Gasket		
26		1	Oil dipstick		
27		1	Tube		
28	1266286	1	Oil filter		(418432)
29		1	Nipple		SEE GROUP 2B
30		1	Gear		
31	418251	1	Bushing	12756	