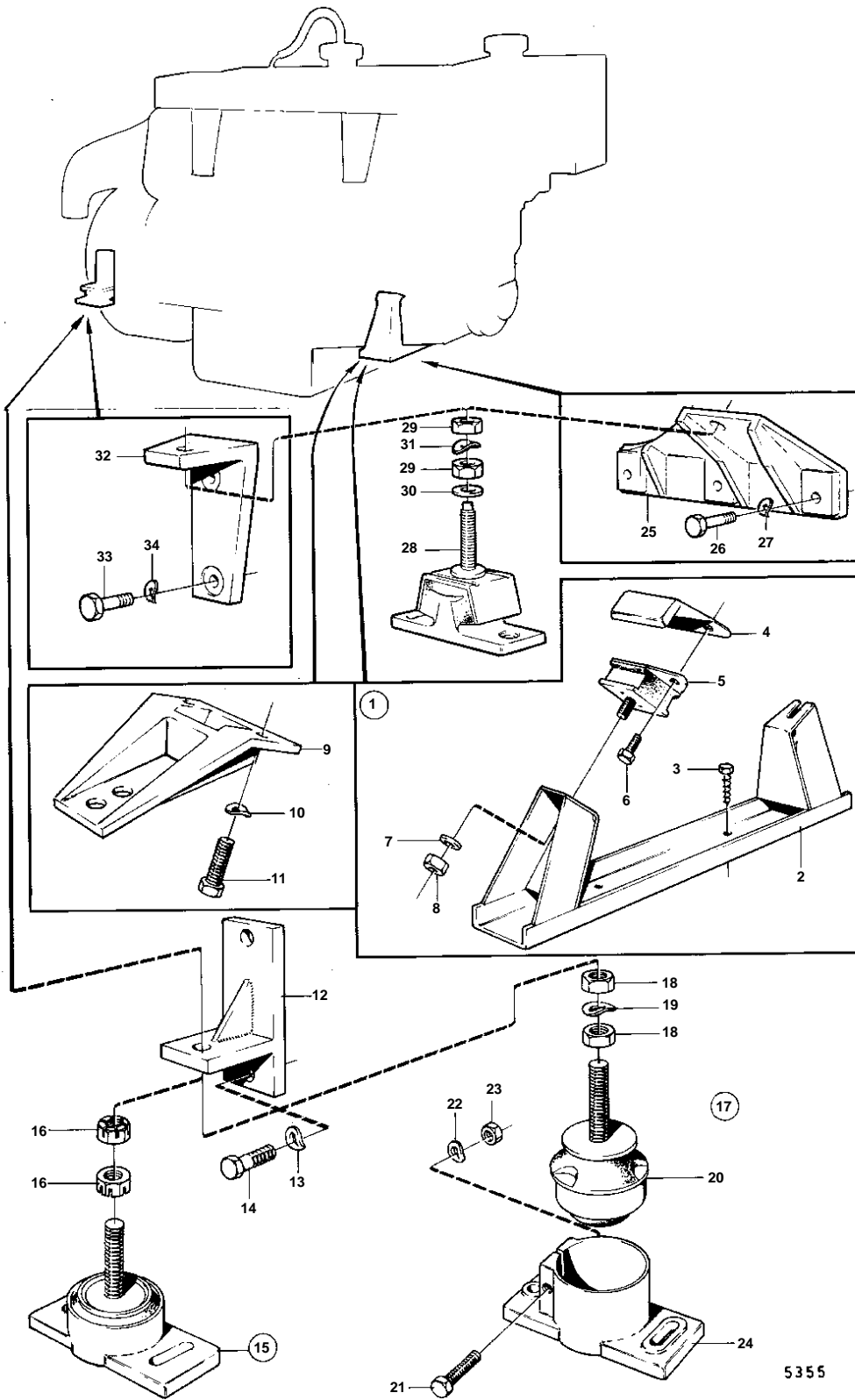


AQD21A



AQD21A

REF	PART NO.	QTY	DESCRIPTION	NOTES
1		1	Engine bracket	
2		1	· Support member	
3		3	· Screw	
4		1	· Protecting plate	
5	818072	2	· Rubber cushion	
6	955296	4	· Hexagon screw	
7	960143	2	· Washer	
8	963107	2	· Lock nut	
26	955297	6	Hexagon screw	FORGED PISTONS., L = 25 MM
	955298	2	Hexagon screw	FORGED PISTONS., L = 40 MM
27	941907	9	Spring washer	FORGED PISTONS.