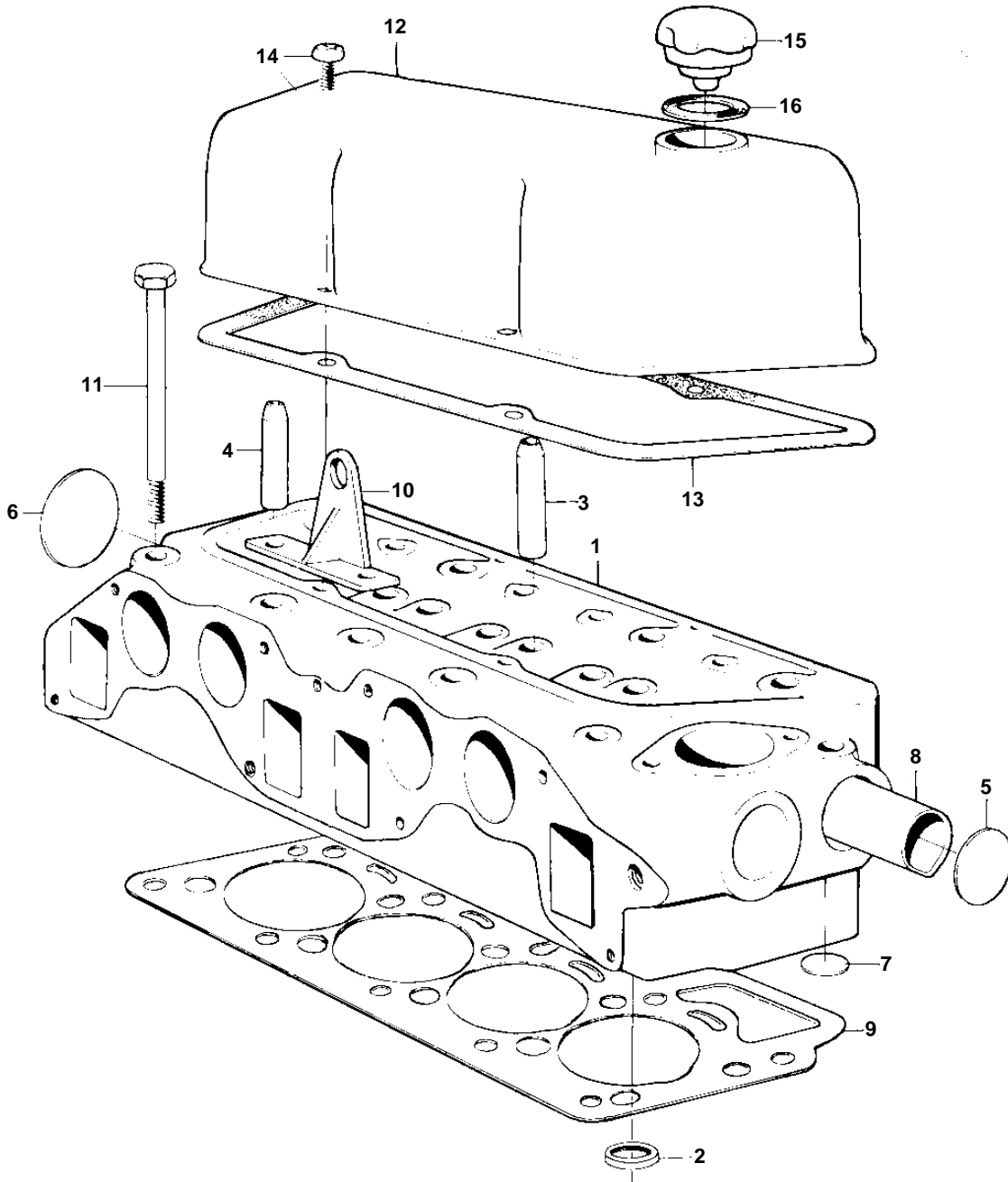


AQ115A



2104

AQ115A

| REF | PART NO. | QTY | DESCRIPTION | NOTES |
|-----|----------|-----|------------------------|--|
| 1 | | 1 | CYLINDER HEAD | REPLACED BY 1EA 831656, 1EA 462623. |
| 2 | | 4 | · Valve seat, INTAKE | |
| | | 4 | · Valve seat, EXHAUST | AQ115B, AQ130A MO-15301/XXXX. AQ130B MO-1400/XXXX. |
| 3 | 419652 | 4 | · Valve guide, INTAKE | |
| 4 | 419653 | 4 | · Valve guide, EXHAUST | |
| 5 | 192211 | 2 | · Expansion plug | |
| 6 | 192212 | 1 | · Expansion plug | |
| 7 | 192426 | 1 | · Expansion plug | AQ115A, AQ130A MO-16931/XXXX. AQ130B MO-1470/XXXX. |
| 8 | | 1 | · Tube | |
| 9 | 419310 | 1 | Cylinder head gasket | |
| | 875543 | 1 | Cylinder head gasket | AQ115A COMPRESSION 8,4:1. |
| 10 | | 1 | LIFT EYE | |
| 11 | 191523 | 10 | Screw | |
| 12 | | 1 | Valve cover | |
| 13 | 419678 | 1 | Gasket | |
| 14 | 950045 | 4 | Cross recessed screw | |
| 15 | 420292 | 1 | Oil filler cap | |
| 16 | 940096 | 1 | Gasket | |