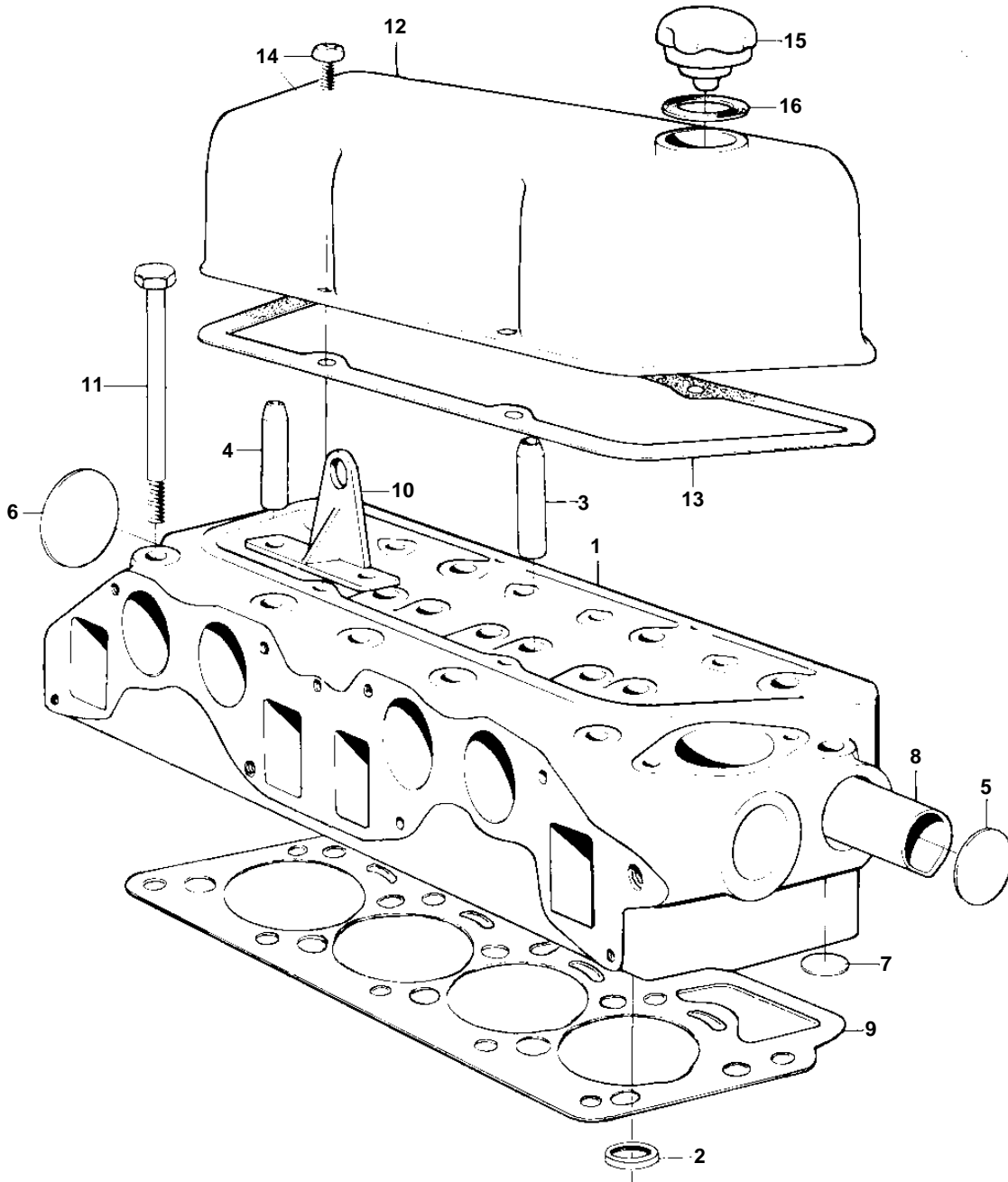


AQ115A



2104

AQ115A

REF	PART NO.	QTY	DESCRIPTION	NOTES
1		1	CYLINDER HEAD	REPLACED BY 1EA 831656, 1EA 462623.
2		4	· Valve seat, INTAKE	
		4	· Valve seat, EXHAUST	AQ115B, AQ130A MO-15301/XXXX. AQ130B MO-1400/XXXX.
3	419652	4	· Valve guide, INTAKE	
4	419653	4	· Valve guide, EXHAUST	
5	192211	2	· Expansion plug	
6	192212	1	· Expansion plug	
7	192426	1	· Expansion plug	AQ115A, AQ130A MO-16931/XXXX. AQ130B MO-1470/XXXX.
8		1	· Tube	
9	419310	1	Cylinder head gasket	
	875543	1	Cylinder head gasket	AQ115A COMPRESSION 8,4:1.
10		1	LIFT EYE	
11	191523	10	Screw	
12		1	Valve cover	
13	419678	1	Gasket	
14	950045	4	Cross recessed screw	
15	420292	1	Oil filler cap	
16	940096	1	Gasket	