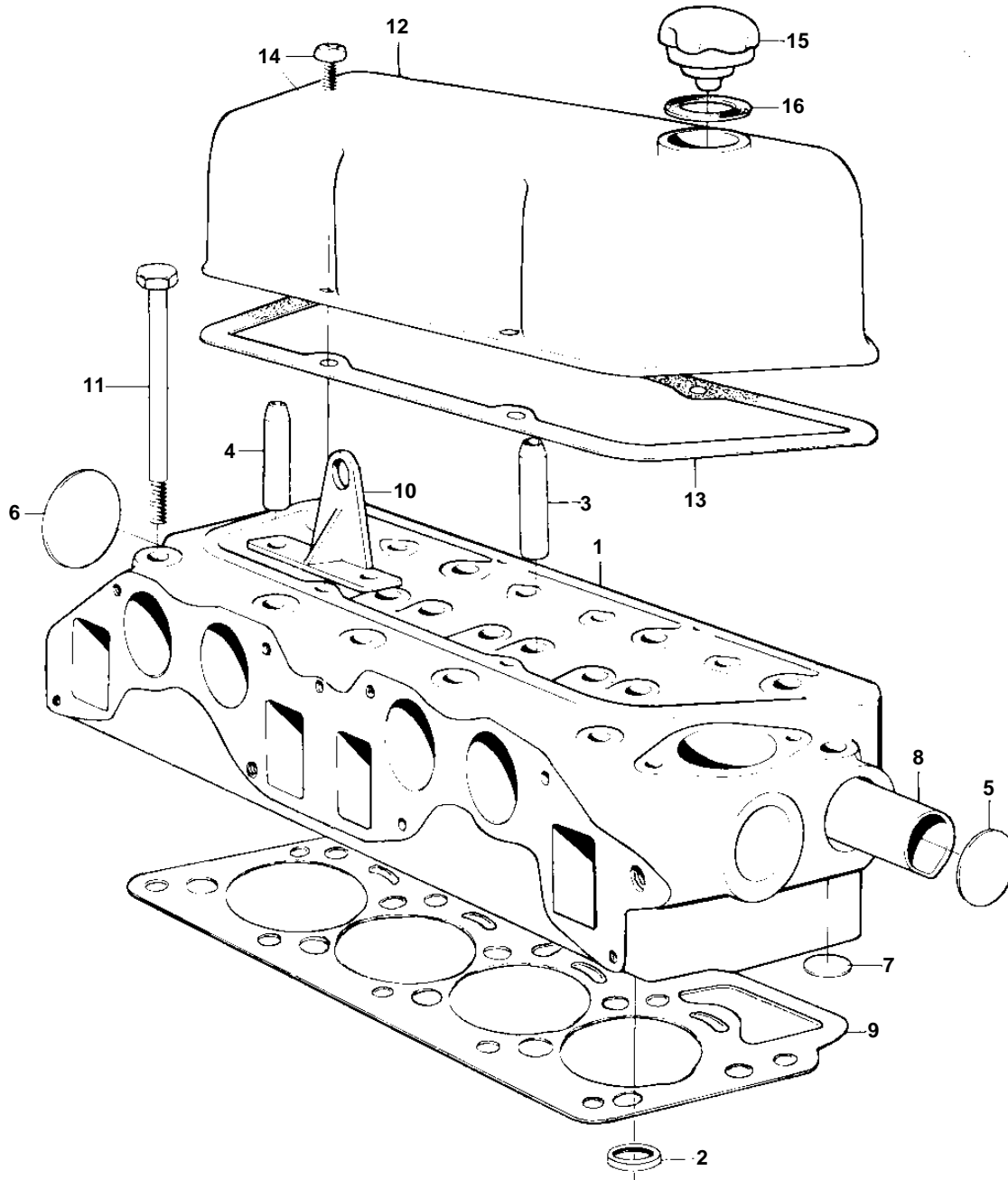


BB115C



2104

BB115C

REF	PART NO.	QTY	DESCRIPTION	NOTES
1		1	Cylinder head	FOR UNLEADED GAS.
	3803012	1	Cylinder head, exch, exch	FOR UNLEADED GAS.
2		4	· Valve seat, EXHAUST	REPLACED BY 1EA 831658, 1EA 461056, 6EA 462997.
3	419652	4	· Valve guide, INTAKE	
4	419653	4	· Valve guide, EXHAUST	
5	192211	2	· Expansion plug	
6	192212	1	· Expansion plug	
8		1	· Tube	
9	462623	1	Gasket	
10		1	LIFT EYE	
11	191523	10	Screw	
12		1	Valve cover	
13	419678	1	Gasket	
14	950045	4	Cross recessed screw	
15	420292	1	Oil filler cap	
16	940096	1	Gasket	