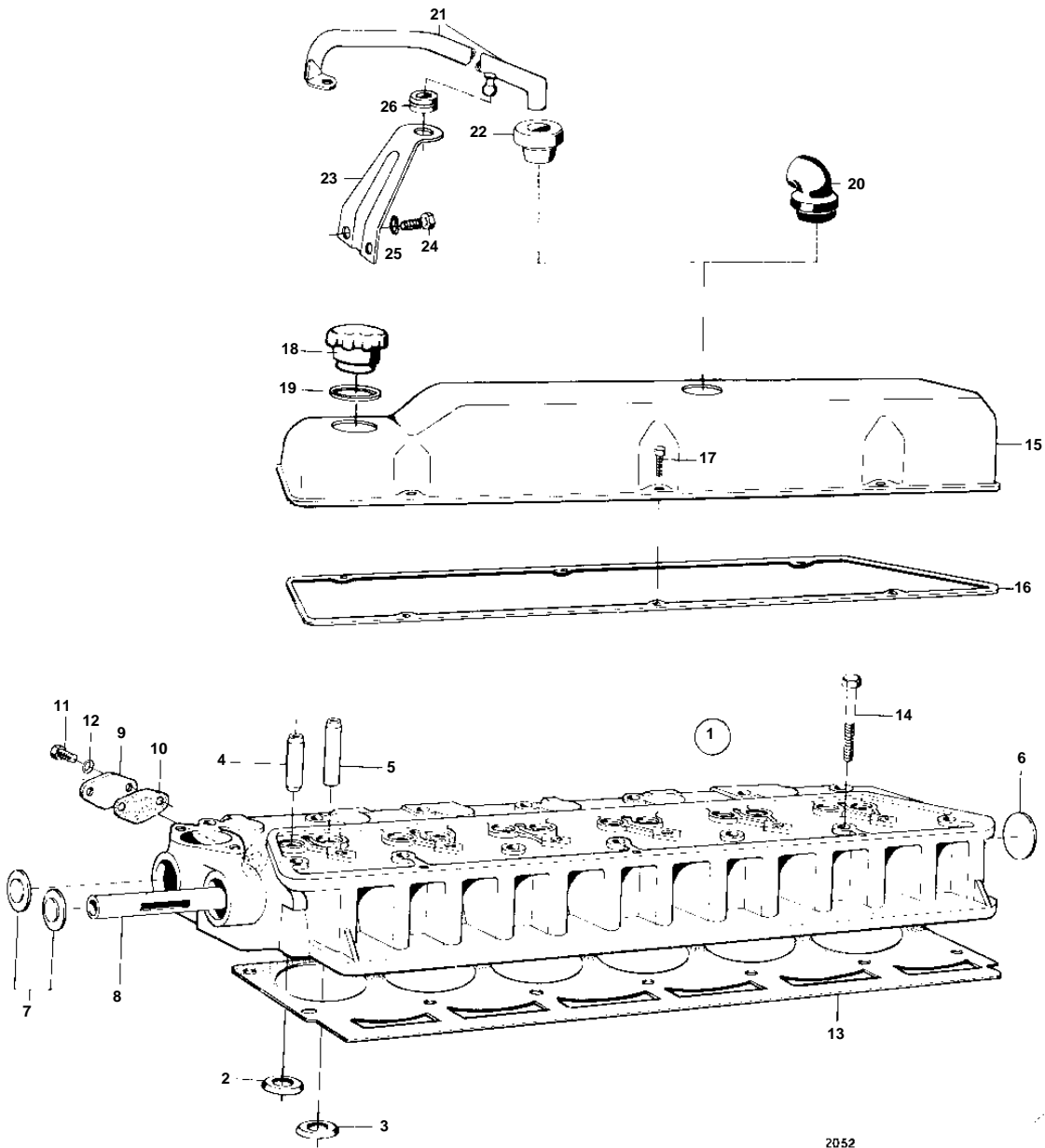


AQ165A



2052

AQ165A

| REF | PART NO. | QTY | DESCRIPTION | NOTES |
|-----|----------|-----|------------------------|---|
| 1 | | 1 | CYLINDER HEAD | AQ140A EXCL USA MO-7263/XXXX. AQ120B EXCL USA MO 903/XXXX. AQ140A USA MO-1400/XXXX. AQ120B USA MO-1705/XXXX. |
| | | 1 | Cylinder head | FOR UNLEADED GAS. |
| 2 | | 6 | · Valve seat, INTAKE | |
| 3 | | 6 | · Valve seat, EXHAUST | MO-5922/XXXX |
| 4 | 419652 | 6 | · Valve guide, INTAKE | |
| 5 | 419653 | 6 | · Valve guide, EXHAUST | |
| 6 | 192212 | 1 | · Expansion plug | |
| 7 | 192211 | 2 | · Expansion plug | |
| 8 | | 1 | · Tube | |
| 9 | 418213 | 1 | Flange | |
| 10 | 418771 | 1 | Gasket | (418214) |
| 11 | 955512 | 2 | Hexagon screw | |
| 12 | 941906 | 2 | Spring washer | |
| 13 | 430107 | 1 | Gasket | STD |
| | | 1 | Gasket | AQ165A USA SPEC 9968. |
| 14 | 191523 | 14 | Screw | |
| 15 | | 1 | Cover | |
| 16 | 430039 | 1 | Gasket | |
| 17 | 950045 | 6 | Cross recessed screw | |
| 18 | 420292 | 1 | Oil filler cap | |
| 19 | 940096 | 1 | Gasket | |
| 20 | 831162 | 1 | Rubber hook | |
| 21 | | 1 | Breather pipe | REPLACED BY 1EA 840265 1EA 829556 2EA 955274 1EA 829558 1EA 829557 1EA 840266 1EA 941686 3EA 957179 1EA 16374. |
| 22 | | 1 | Rubber bushing | REPLACED BY 1EA 840265 1EA 829556 2EA 955274 1EA 829558 1EA 829557 1EA 840266 1EA 941686 3EA 957179 1EA 16374. |
| 23 | | 1 | Bracket | REPLACED BY 1EA 840265 1EA 829556 2EA 955274 1EA 829558 1EA 829557 1EA 840266 1EA 941686 3EA 957179 1EA 16374. |
| 24 | 955512 | 2 | Hexagon screw | REPLACED BY 1EA 840265 1EA 829556 2EA 955274 1EA 829558 1EA 829557 1EA 840266 1EA 941686 3EA 957179 1EA 16374. |
| 25 | 941906 | 2 | Spring washer | REPLACED BY 1EA 840265 1EA 829556 2EA 955274 1EA 829558 1EA 829557 1EA 840266 1EA 941686 3EA 957179 1EA 16374. |
| 26 | | 1 | Grommet | REPLACED BY 1EA 840265 1EA 829556 2EA 955274 1EA 829558 1EA 829557 1EA 840266 1EA 941686 3EA 957179 1EA 16374. |