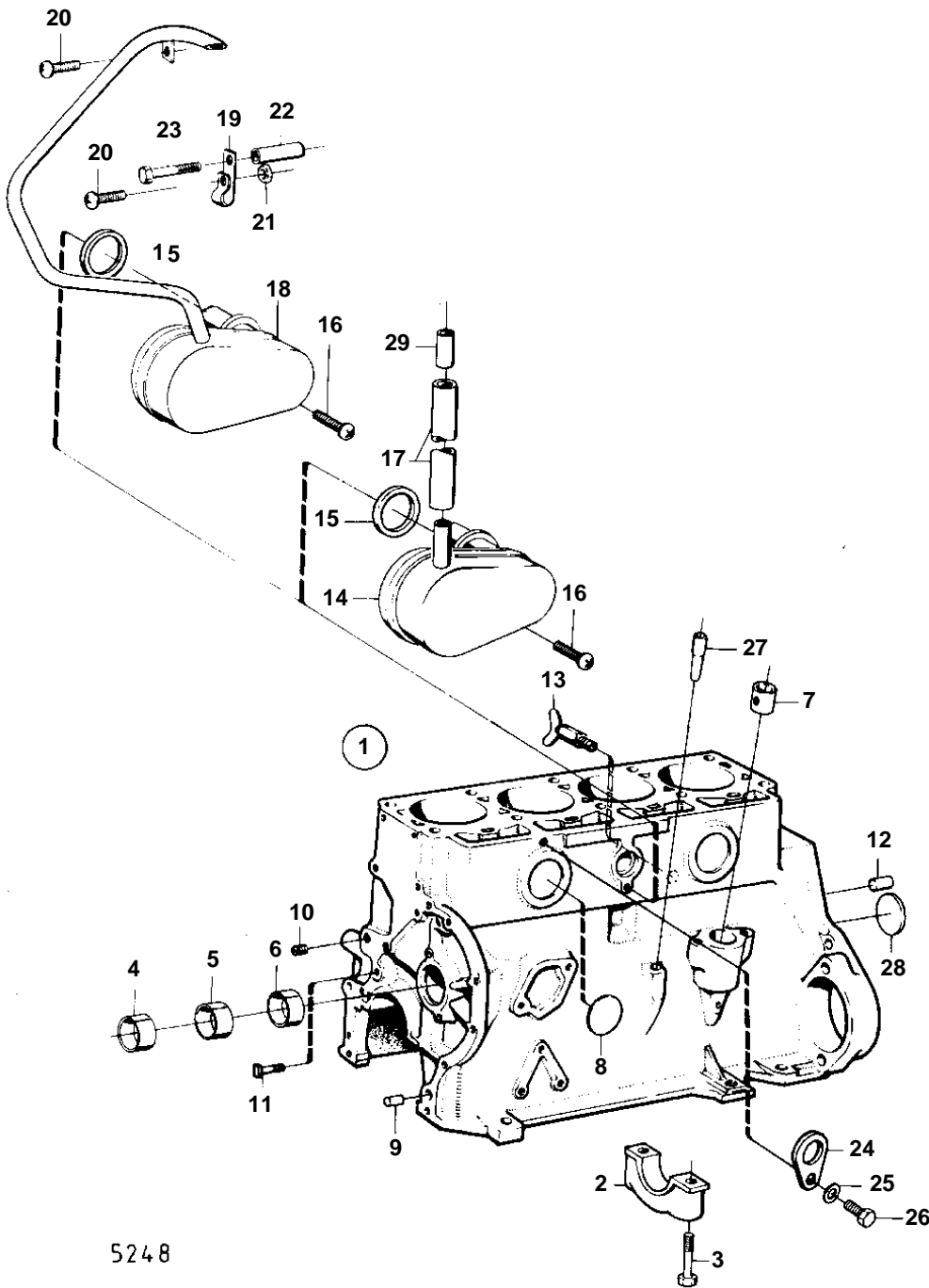


AQ115A, AQ115B, AQ130A, AQ130B, AQ130C, AQ130D, BB115A, BB115B, BB115C



AQ115A, AQ115B, AQ130A, AQ130B, AQ130C, AQ130D, BB115A, BB115B, BB115C

REF	PART NO.	QTY	DESCRIPTION	SEE SEC.	NOTES
1		1	Cylinder		
2		5	· BEARING CAP		
3		10	· Screw		1/2"UNC
	945799	10	· Hexagon screw		M12
4		1	· Bushing		
5		1	· Bushing		
6		1	· Bushing		
7	418251	1	· Bushing		
8	192212	6	· Expansion plug		
9	950562	2	· Pin		
10	952076	1	· Plug		
	952075	2	Plug		
11		1	Nipple		
12	19730	2	Pin		
13	82745	1	Shut-off cock		EARLY TYPE
		1	Tap		LATE TYPE
14		1	Oil trap		EXCL. SPEC. 9882, 9961, 9982., D = 22 MM, EARLY TYPE
		1	Oil trap		EXCL. SPEC. 9882, 9961, 9982., D = 27 MM, LATE TYPE
15	418412	1	Sealing ring		I.D = 22 MM, EARLY TYPE
	419805	1	Sealing ring		I.D = 27 MM, LATE TYPE
16	950045	1	Cross recessed screw		
17	942390	X	Hose		L = 330 MM
	942390	X	Hose		SPEC. 9881, 9890. 9919, 9958, 9960., L = 250 MM
18		1	Oil trap		SPEC. 9882, 9961., D = 22 MM, EARLY TYPE
		1	Oil trap		SPEC. 9882, 9961., D = 27 MM, LATE TYPE
19		1	Clamp		SPEC. 9882, 9961.
20	950046	2	Cross recessed screw		SPEC. 9882, 9961.
21	950352	1	Lock nut		SPEC. 9882, 9961.
22		1	Spacer tube		SEE GROUP 3
23	955359	1	Hexagon screw		SEE GROUP 3
24		1	LIFT EYE		
25	942336	1	Spring washer		
	941908	1	Spring washer		
26	940114	1	Hexagon screw		L = 22 MM
	955315	1	Hexagon screw		L = 20 MM
27		1	Tube, PIPE	12741	
				12742	
28		1	Expansion plug	12766	
29		1	Restricting jet		EXCL. SPEC. 9882, 9961, 9982, 9983, 867041, 867157, 817171.