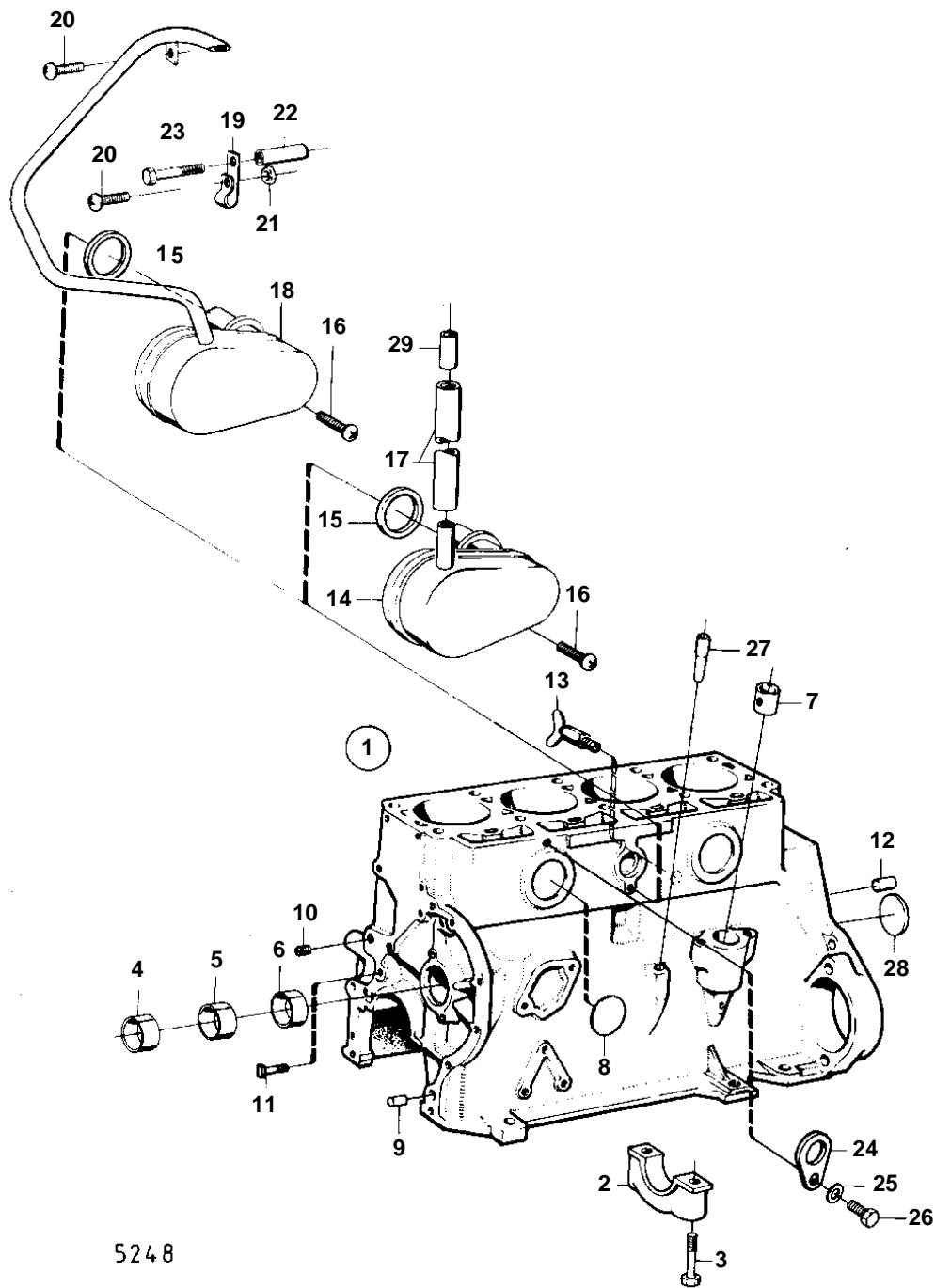


AQ115A, AQ115B, AQ130A, AQ130B, AQ130C, AQ130D, BB115A, BB115B, BB115C



5248

AQ115A, AQ115B, AQ130A, AQ130B, AQ130C, AQ130D, BB115A, BB115B, BB115C

| REF | PART NO. | QTY | DESCRIPTION | SEE SEC. | NOTES |
|-----|----------|-----|----------------------|----------|---|
| 1 | | 1 | Cylinder | | |
| 2 | | 5 | · BEARING CAP | | |
| 3 | | 10 | · Screw | | 1/2"UNC |
| | 945799 | 10 | · Hexagon screw | | M12 |
| 4 | | 1 | · Bushing | | |
| 5 | | 1 | · Bushing | | |
| 6 | | 1 | · Bushing | | |
| 7 | 418251 | 1 | · Bushing | | |
| 8 | 192212 | 6 | · Expansion plug | | |
| 9 | 950562 | 2 | · Pin | | |
| 10 | 952076 | 1 | · Plug | | |
| | 952075 | 2 | Plug | | |
| 11 | | 1 | Nipple | | |
| 12 | 19730 | 2 | Pin | | |
| 13 | 82745 | 1 | Shut-off cock | | EARLY TYPE |
| | | 1 | Tap | | LATE TYPE |
| 14 | | 1 | Oil trap | | EXCL. SPEC. 9882, 9961, 9982., D = 22 MM, EARLY TYPE |
| | | 1 | Oil trap | | EXCL. SPEC. 9882, 9961, 9982., D = 27 MM, LATE TYPE |
| 15 | 418412 | 1 | Sealing ring | | I.D = 22 MM, EARLY TYPE |
| | 419805 | 1 | Sealing ring | | I.D = 27 MM, LATE TYPE |
| 16 | 950045 | 1 | Cross recessed screw | | |
| 17 | 942390 | X | Hose | | L = 330 MM |
| | 942390 | X | Hose | | SPEC. 9881, 9890. 9919, 9958, 9960., L = 250 MM |
| 18 | | 1 | Oil trap | | SPEC. 9882, 9961., D = 22 MM, EARLY TYPE |
| | | 1 | Oil trap | | SPEC. 9882, 9961., D = 27 MM, LATE TYPE |
| 19 | | 1 | Clamp | | SPEC. 9882, 9961. |
| 20 | 950046 | 2 | Cross recessed screw | | SPEC. 9882, 9961. |
| 21 | 950352 | 1 | Lock nut | | SPEC. 9882, 9961. |
| 22 | | 1 | Spacer tube | | SEE GROUP 3 |
| 23 | 955359 | 1 | Hexagon screw | | SEE GROUP 3 |
| 24 | | 1 | LIFT EYE | | |
| 25 | 942336 | 1 | Spring washer | | |
| | 941908 | 1 | Spring washer | | |
| 26 | 940114 | 1 | Hexagon screw | | L = 22 MM |
| | 955315 | 1 | Hexagon screw | | L = 20 MM |
| 27 | | 1 | Tube, PIPE | 12741 | |
| | | | | 12742 | |
| 28 | | 1 | Expansion plug | 12766 | |
| 29 | | 1 | Restricting jet | | EXCL. SPEC. 9882, 9961, 9982, 9983, 867041, 867157, 817171. |