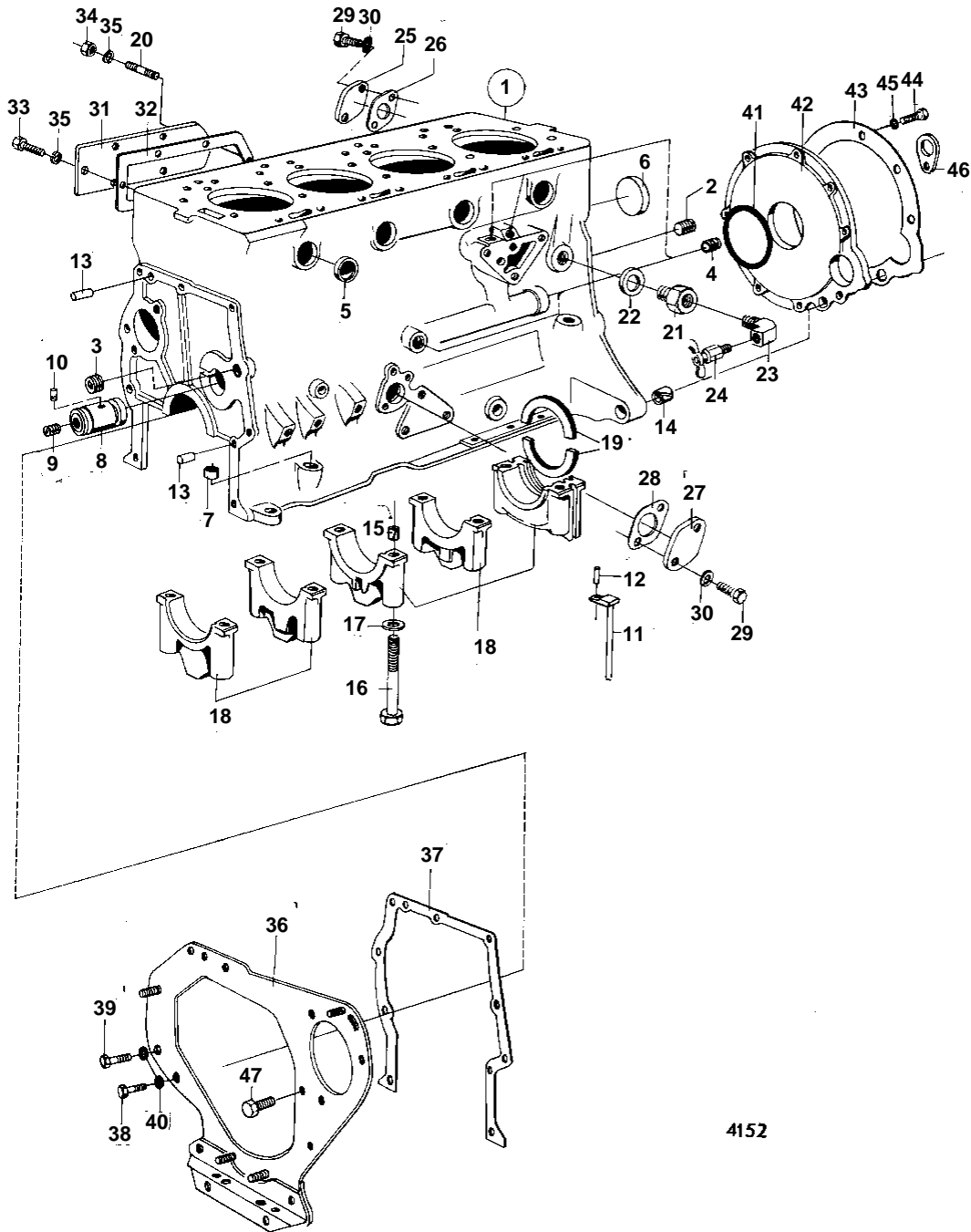


MD21A



4152

MD21A

REF	PART NO.	QTY	DESCRIPTION	NOTES
1		1	Cylinder block	
2		1	· Plug	
3		1	· Plug	
4		4	· Plug	
5		4	· Domed washer	
6		1	· Domed washer	
7		1	· Plug	
8		1	· Shaft	
9		1	· · Plug	
10		1	· Pin	
11	818016	2	· Gasket	
12		2	· Locating pin	
13		2	· Base	
14		2	· Guide sleeve	
15		4	· Locating pin	
16	818500	10	· Screw	
17	818499	10	· Spring washer	
18		5	· BEARING CAP	
19	818017	2	· Sealing	
20		2	· Stud	
21	813615	1	Reduction nipple	MO-3218827/XXXX
	947899	1	Reduction nipple	M0 3218828/XXXX-
22	957178	1	Gasket	M0-3218827/XXXX
	957175	1	Gasket	M0 3218828/XXXX-
23	16218	1	Elbow nipple	
24	82744	1	Shut-off cock	
25		1	Flange	
26	819119	1	Gasket	
27		1	Gasket	
28	826514	1	Gasket	
29	955271	4	Hexagon screw	
30	941906	4	Spring washer	
31		2	Hatch	
32	818457	2	Gasket	
33	955269	10	Hexagon screw	
34	955781	2	Hexagon nut	
35	941906	12	Spring washer	
36		1	Intermediate plate	
37	818240	1	Gasket	
38		1	Hexagon screw	
39		2	Hexagon screw	
40		4	Washer	
41	818273	1	Gasket	
42		1	Flywheel housing	
43	826765	1	Gasket	SEE GROUP 4A
44	959667	1	Hexagon screw	L = 50 MM SEE GROUP 4A
		2	Hexagon screw	L = 70 MM SEE GROUP 4A
45	940280	3	Spring washer	SEE GROUP 4A
46		1	LIFT EYE	SEE GROUP 4A
47		1	Screw	
		1	Hexagon screw	M0 3114784/XXXX-