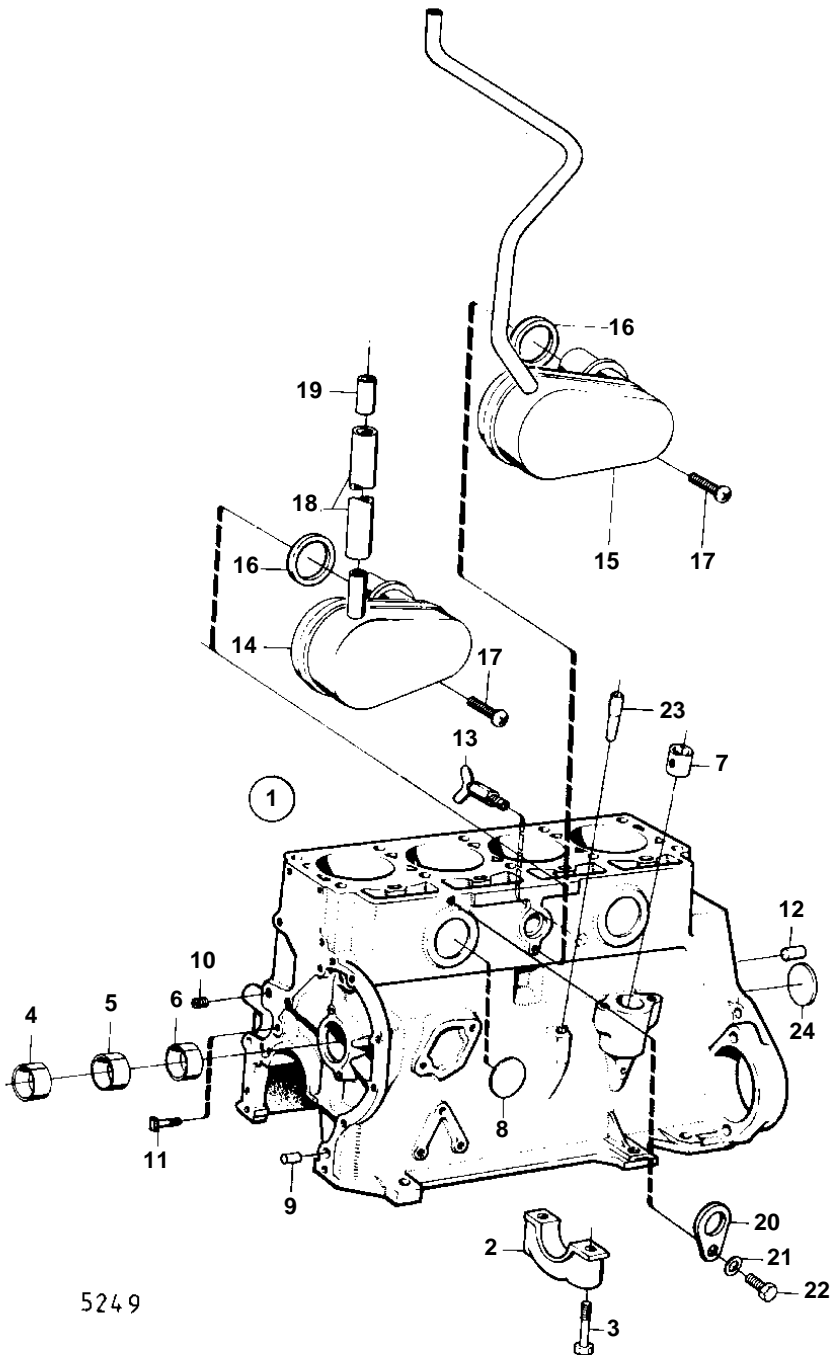


MB20A



5249

MB20A

REF	PART NO.	QTY	DESCRIPTION	SEE SEC.	NOTES
1		1	Cylinder		
2		5	· BEARING CAP		
3		10	· Screw		1/2"UNC
	945799	10	· Hexagon screw		M12
4		1	· Bushing		
5		1	· Bushing		
6		1	· Bushing		
7	418251	1	· Bushing		
8	192212	6	· Expansion plug		
9	950562	2	· Pin		
10	952076	1	· Plug		
	952075	2	Plug		
11		1	Nipple		
12	19730	2	Pin		
13	82745	1	Shut-off cock		EARLY TYPE
		1	Tap		LATE TYPE
14		1	Oil trap		EXCL. SPEC. 9882, 9961, 9982., D = 22 MM, EARLY TYPE
		1	Oil trap		EXCL. SPEC. 9882, 9961, 9982., D = 27 MM, LATE TYPE
15		1	Breather pipe		
16	418412	1	Sealing ring		I.D = 22 MM, EARLY TYPE
	419805	1	Sealing ring		I.D = 27 MM, LATE TYPE
17	950045	1	Cross recessed screw		
18	942390	X	Hose		L = 330 MM
20		1	LIFT EYE		
21	942336	1	Spring washer		
	941908	1	Spring washer		
22	940114	1	Hexagon screw		L = 22 MM
	955315	1	Hexagon screw		L = 20 MM
23		1	Tube	12741	
				12742	
24		1	Expansion plug	12766	