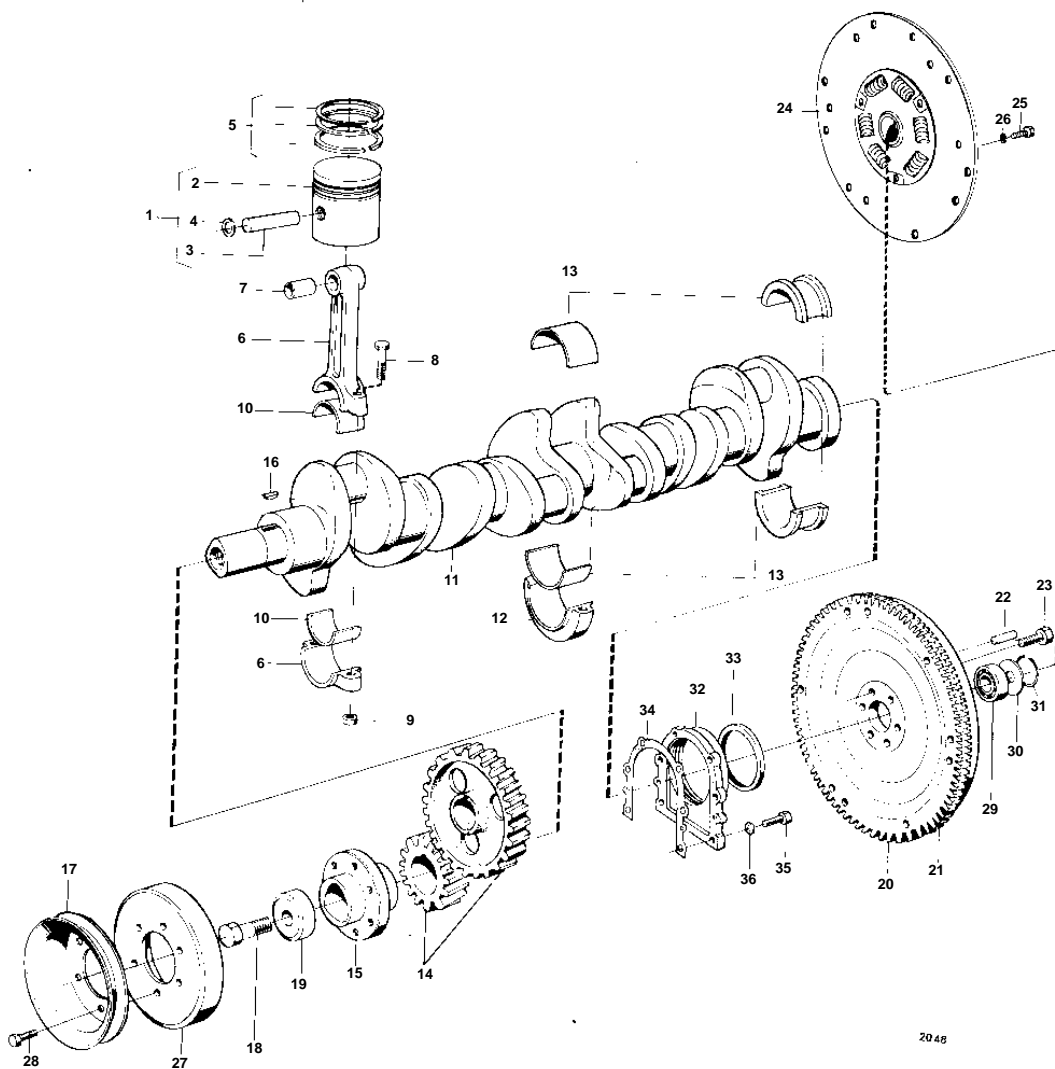


BB170C



**BB170C**

REF	PART NO.	QTY	DESCRIPTION	SEE SEC.	NOTES
1		6	Piston kit		BB170B MOXXXX/89353-, FOR BRACKET 829839 WITH 8 HOLES., STD D (272008)
			Bulletin 41-02	41-02-EN	Piston Rings
1	272057	6	Piston kit		BB170B MOXXXX/89353-, FOR BRACKET 829839 WITH 8 HOLES., (272009)
			Bulletin 41-02	41-02-EN	Piston Rings
1	272059	6	Piston		BB170B MOXXXX/89353-, AQ125A MO 7546501/XXXX-. AQ125A USA MO 7545817/XXXX-, (272010)
			Bulletin 41-02	41-02-EN	Piston Rings
2		6	· PISTON		
3		6	· Piston pin		BB170B MOXXXX/89353-, STD D
		6	· Piston pin		BB170B MOXXXX/89353-, OVER SIZE 0,05 MM
4		12	· Snap ring		BB170B MOXXXX/89353-, (945848)
5		6	· Piston ring kit		BB170B MOXXXX/89353-, STD D
		6	· Piston ring kit		BB170B MOXXXX/89353-, OVER SIZE 0,75 MM
6	463021	6	Connecting rod		BB170B MOXXXX/89353-, MO-XXXX/107004
	1219237	6	Connecting rod		BB170B MOXXXX/89353-, MOXXXX/107005-
7		6	· Bushing		BB170B MOXXXX/89353-, STD D
		6	· Bushing		BB170B MOXXXX/89353-, OVER SIZE 0,4 MM
8		12	· Screw		BB170B MOXXXX/89353-.
9	463643	12	· Nut		BB170B MOXXXX/89353-.
10		1	Big-end bearing kit		BB170B MOXXXX/89353-, STD D
	271067	1	Big-end bearing kit		BB170B MOXXXX/89353-, UNDER SIZE 0,25 MM
		1	Big end bearing kit		BB170B MOXXXX/89353-, UNDER SIZE 0,50 MM
11		1	Crankshaft		BB170B MOXXXX/89353-.
13		1	Main bearing kit		STD D
		1	Main bearing kit		UNDER SIZE D 0,25 MM
		1	Main bearing kit		UNDER SIZE D 0,50 MM
14		1	GEAR KIT	12768	
15		1	Hub		
16		1	Woodruff key		
17		1	Pulley		
18		1	Screw		
19		1	Washer		
20		1	Flywheel		BB170B MOXXXX/89353-.
21	430057	1	· Gear ring		
22	191873	3	· Locating pin		
23	946379	8	Hexagon screw		BB170B MOXXXX/89353-.
24	841893	1	Absorber		(824991)
25	955295	6	Hexagon screw		BB170B MOXXXX/89353-.
26	941907	6	Spring washer		
27		1	Absorber		
28	955523	6	Hexagon screw		
29	11009	1	Ball bearing		
30		1	Protecting plate		
31	191848	1	Snap ring		
32		1	Sealing flange		
33	430118	1	Sealing ring		
34	430134	1	Gasket		
35	940100	6	Hexagon screw		
36	941906	6	Spring washer		