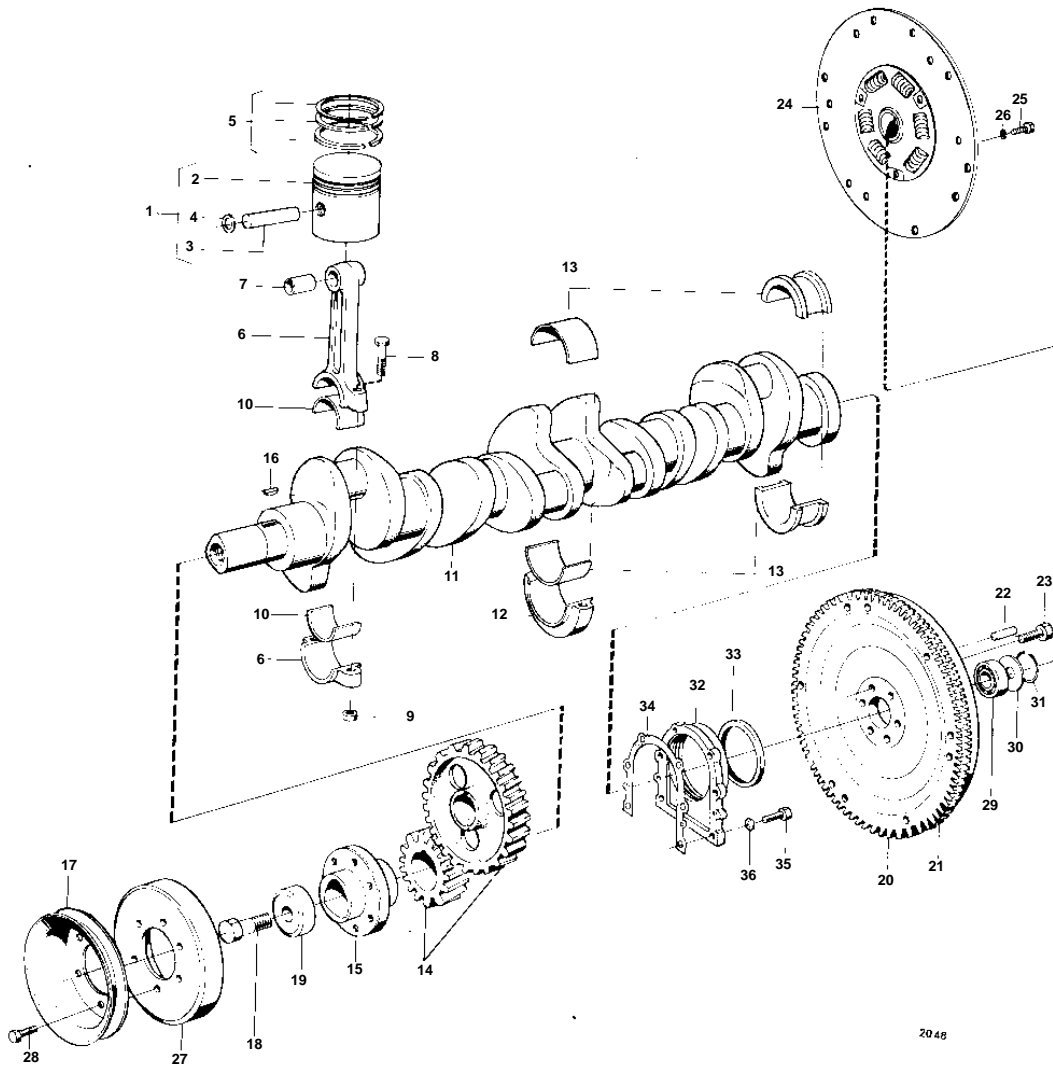


AQ170A



AQ170A

REF	PART NO.	QTY	DESCRIPTION	SEE SEC.	NOTES
1		6	Piston kit		AQ170B MO-XXXX/87712., STD D
		6	Piston kit		AQ170B MO-XXXX/87712., STD D + 0,03 MM
	272004	6	Piston kit		AQ170B MO-XXXX/87712., OVER SIZE 0,75 MM
2		6	· PISTON		
3		6	· Piston pin		AQ170B MO-XXXX/87712., STD D
		6	· Piston pin		AQ170B MO-XXXX/87712., OVER SIZE 0,05 MM
4	914510	12	· Snap ring		AQ170B MO-XXXX/87712.
5	275334	6	· Piston ring		AQ170B MO-XXXX/87712., STD D (275306)
		6	· Piston ring kit		AQ170B MO-XXXX/87712., OVER SIZE 0,75 MM (275307)
6		6	Connecting rod		AQ170B MO-XXXX/87712.
7		6	· Bushing		AQ170B MO-XXXX/87712., STD D
		6	· Bushing		AQ170B MO-XXXX/87712., OVER SIZE 0,4 MM
8		12	· Screw		AQ170B MO-XXXX/87712.
9		12	· Nut		AQ170B MO-XXXX/87712.
10	271054	1	Big-end bearing kit		AQ170B MO-XXXX/87712., STD D
		1	Big end bearing kit		AQ170B MO-XXXX/87712., UNDER SIZE 0,25 MM
		1	Main bearing kit		AQ170B MO-XXXX/87712., UNDER SIZE 0,50 MM
11		1	Crankshaft		AQ170B MO-XXXX/87712.
13		1	Main bearing kit		STD D
		1	Main bearing kit		UNDER SIZE D 0,25 MM
		1	Main bearing kit		UNDER SIZE D 0,50 MM
14		1	GEAR KIT	12768	
15		1	Hub		
16		1	Woodruff key		
17		1	Pulley		
18		1	Screw		
19		1	Washer		
20		1	Flywheel		AQ170B MO-XXXX/87712.
21	430057	1	· Gear ring		
22	191873	3	· Locating pin		
23		6	Hexagon screw		AQ170B MO-XXXX/87712.
24	841893	1	Absorber		(824991)
25	940135	6	Hexagon screw		AQ170B MO-XXXX/87712.
26	941907	6	Spring washer		
27		1	Absorber		
28	955523	6	Hexagon screw		
29	11009	1	Ball bearing		
30		1	Protecting plate		
31	191848	1	Snap ring		
32		1	Sealing flange		
33	430118	1	Sealing ring		
34	430134	1	Gasket		
35	940100	6	Hexagon screw		
36	941906	6	Spring washer		