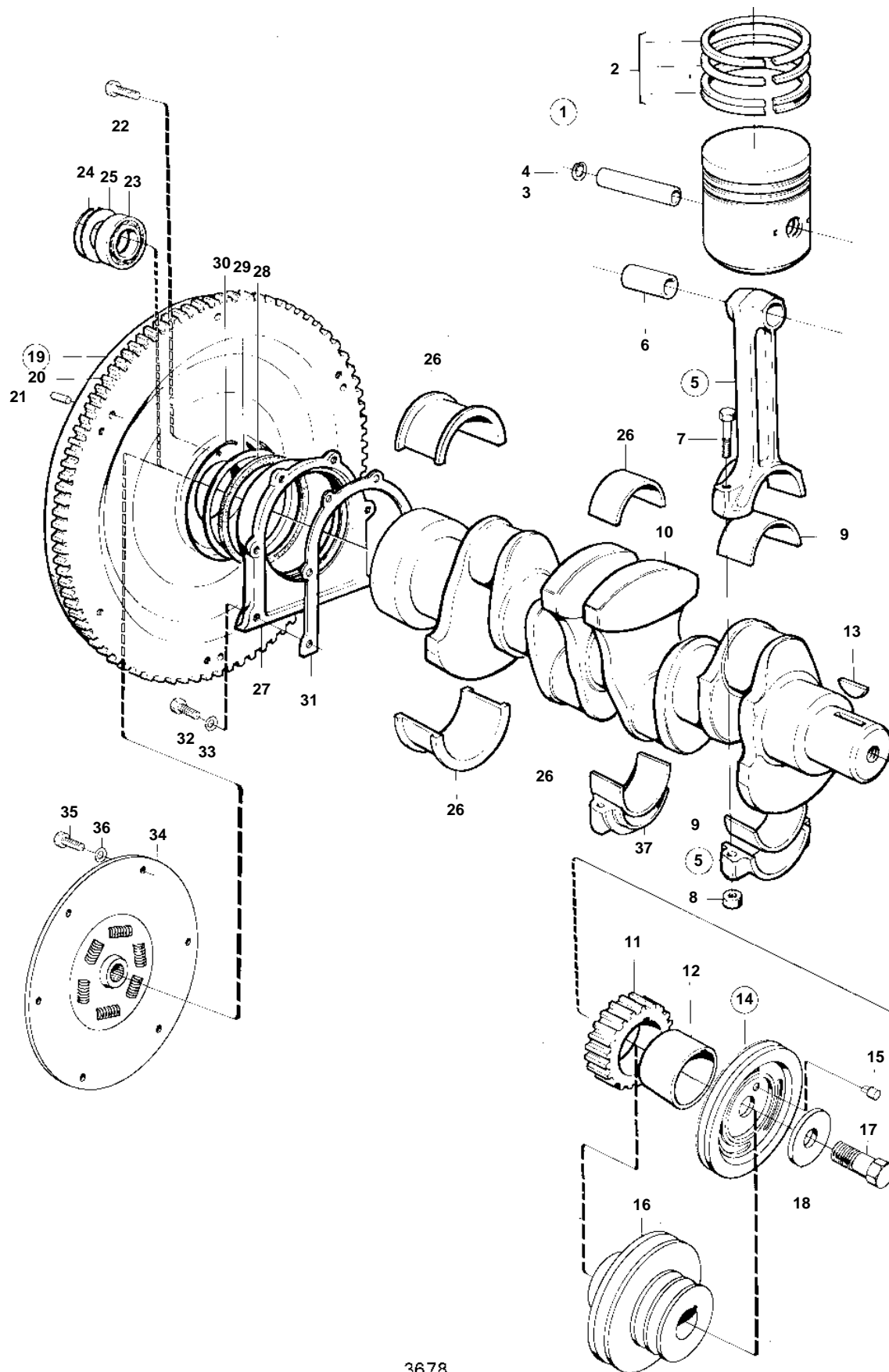


AQ130B



3678

AQ130B

REF	PART NO.	QTY	DESCRIPTION	SEE SEC.	NOTES
1		4	Piston kit		AQ130C MO-XXXX/87512., STD D
		4	Piston kit		AQ130C MO-XXXX/87512., STD D + 0,03 MM
	272004	4	Piston kit		AQ130C MO-XXXX/87512., OVER SIZE 0,75 MM
2	275334	4	· Piston ring		AQ130C MO-XXXX/87512., STD D (275306)
		4	· Piston ring kit		AQ130C MO-XXXX/87512., OVER SIZE 0,75 MM (275307)
3		4	· Piston pin		AQ130C MO-XXXX/87512., STD D
		4	· Piston pin		AQ130C MO-XXXX/87512., OVER SIZE 0,05 MM
4	914510	8	· Snap ring		AQ130C MO-XXXX/87512.
5		4	Connecting rod		AQ130C MO-XXXX/87512.
6		4	· Bushing		AQ130C MO-XXXX/87512., STD D
		4	· Bushing		AQ130C MO-XXXX/87512., OVER SIZE 0,4 MM
7		8	· Screw		AQ130C MO-XXXX/87512.
8		8	· Nut		AQ130C MO-XXXX/87512.
9		1	Big end bearing kit		AQ130C MO-XXXX/87512., STD D
		1	Big-end bearing kit		AQ130C MO-XXXX/87512., UNDER SIZE 0,25 MM
		1	Big end bearing kit		AQ130C MO-XXXX/87512., UNDER SIZE 0,25 MM
10		1	Crankshaft		AQ130C MO-XXXX/87512.
11		1	GEAR KIT	12766	
12		1	Hub		
13		1	Key		AQ130C MO-XXXX/87512.
14		1	Pulley		STD
15		1	· Locating pin		
16		1	Pulley		SPEC VERSION
17		1	Screw		
18		1	Washer		
19		1	Flywheel		AQ130C MO-XXXX/87512.
20	1326333	1	· Gear ring		(419633)
22		6	Hexagon screw		AQ130C MO-XXXX/87512.
23	11009	1	Ball bearing		
24	191848	1	Snap ring		
25		1	Protecting plate		
26		1	Main bearing kit		STD D
		1	Main bearing kit		UNDER SIZE 0,25 MM
		1	Main bearing kit		UNDER SIZE 0,50 MM
27		1	Sealing flange		
28	418621	1	Felt ring		
29	418625	1	Retainer		
30		1	Lock ring		
31	430134	1	Gasket		(418257)
32	940100	6	Hexagon screw		
33	941906	6	Spring washer		
34	841896	1	Absorber		FOR ENGINE WITH AQ DRIVE 100, 250 OR REDUCTION REVERSE GEAR., (831777)
	831778	1	Absorber		FOR ENGINE WITH AQ DRIVE 100B, 270, 280 OR REVERSE GEAR TYPE BORG WARNER.
35		3	Hexagon screw		AQ130C MO-XXXX/87512.
36	941907	3	Spring washer		AQ130C MO-XXXX/87512.