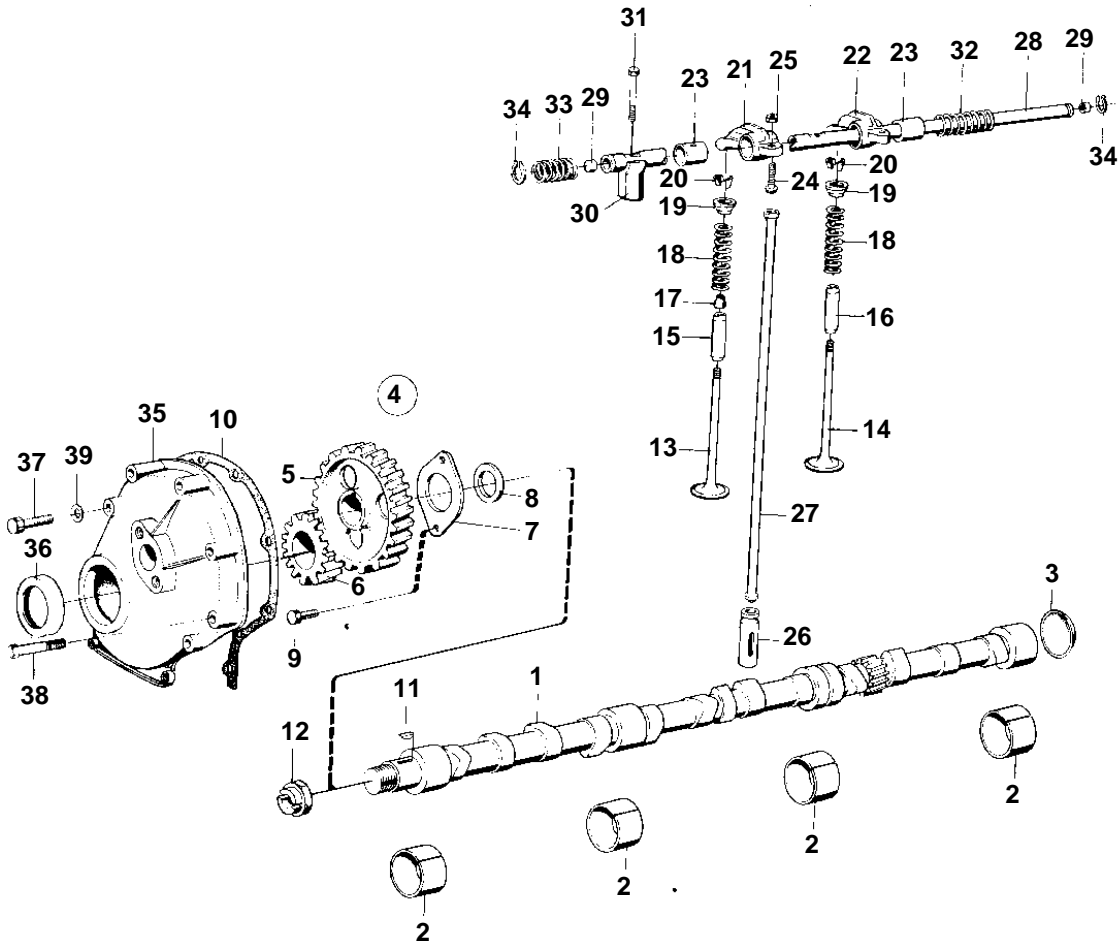


AQ165A, AQ170A, BB165A, BB170A



3347

AQ165A, AQ170A, BB165A, BB170A

REF	PART NO.	QTY	DESCRIPTION	SEE SEC.	NOTES
1		1	Camshaft		
2		4	Bushing	12756	
3	463905	1	Expansion plug	12756	
4	875375	1	Set		
5		1	· CAMSHAFT GEAR		
6		1	· CRANKSHAFT GEAR		
7		1	· THRUST FLANGE		
8		1	· Spacer ring		
9		2	· Hexagon screw		
10	430133	1	· Gasket		
11	910118	1	Woodruff key		
12		1	Nut		
13	419734	6	Inlet valve		D = 42 MM
14	419735	6	Exhaust valve		
15	419652	6	Valve guide, INTAKE	12738	
16	419653	6	Valve guide, EXHAUST	12738	
17	1306630	6	Valve stem seal		(419702)
18	418737	12	Valve spring		
19	460181	12	Washer		
20	419643	24	Valve collet		
21	418298	6	Rocker arm		NO. 2-4-6-8-10-12
22	418301	6	Rocker arm		NO. 1-3-5-7-9-11
23	418297	12	· Bushing		
24	418286	12	· Ball stud		
25	921781	12	· Hexagon nut		
26	1218630	12	Tappet		
27		12	Push rod		
28		1	Rocker arm shaft		
29	955083	2	· Cap plug		
30		6	Bearing bracket		
31	191689	6	Screw		
32	418426	5	Compression spring		
33	411140	2	Valve spring		
34	914456	2	Snap ring		
35		1	Timing gear casing		
36	1276424	1	Sealing ring		(1266605)
37	955514	4	Hexagon screw		L = 25 MM
38	940158	5	Hexagon screw		L = 45 MM
39	941906	9	Spring washer		