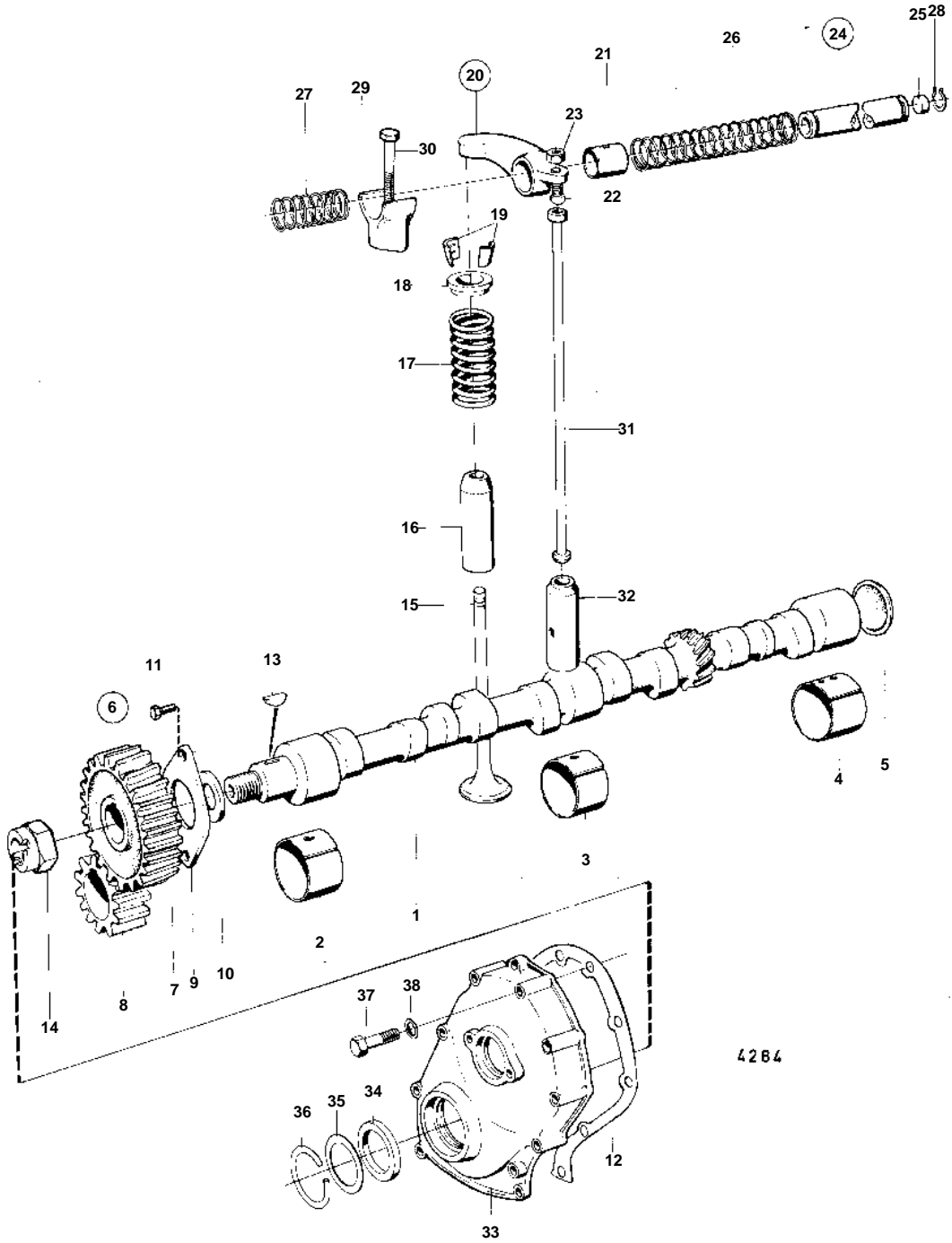


AQ115A, AQ115B, AQ130A, AQ130B, AQ130C, AQ130D



AQ115A, AQ115B, AQ130A, AQ130B, AQ130C, AQ130D

| REF | PART NO. | QTY | DESCRIPTION | SEE SEC. | NOTES |
|-----|----------|-----|----------------------|----------|-------------|
| 1 | | 1 | Camshaft | | |
| 2 | | 1 | Bushing, BUSHING | | |
| | | | | 12743 | |
| 3 | | 1 | Bushing, BUSHING | 12737 | |
| | | | | 12743 | |
| 4 | | 1 | Bushing, BUSHING | 12737 | |
| | | | | 12743 | |
| 5 | | 1 | Expansion plug, PLUG | 12737 | |
| | | | | 12743 | |
| 6 | 875375 | 1 | Set | | |
| 7 | | 1 | · CAMSHAFT GEAR | | |
| 8 | | 1 | · CRANKSHAFT GEAR | | |
| 9 | | 1 | · THRUST FLANGE | | |
| 10 | | 1 | · Spacer ring | | |
| 11 | | 2 | · Hexagon screw | | |
| 12 | 418620 | 1 | · Gasket | | |
| 13 | 910118 | 1 | Woodruff key | | |
| 14 | | 1 | Nut | | |
| 15 | 419734 | 4 | Inlet valve | | |
| | 419735 | 4 | Exhaust valve | | |
| 16 | 419652 | 4 | Valve guide, INTAKE | 12771 | |
| | | | | 12772 | |
| | 419653 | 4 | Valve guide, EXHAUST | 12771 | |
| | | | | 12772 | |
| 17 | 418737 | 8 | Valve spring | | |
| 18 | 460181 | 8 | Washer | | |
| 19 | 419643 | 16 | Valve collet | | |
| 20 | 418298 | 4 | Rocker arm | | NO. 2-4-6-8 |
| | 418301 | 4 | Rocker arm | | NO. 1-3-5-7 |
| 21 | 418297 | 8 | · Bushing | | |
| 22 | 418286 | 8 | · Ball stud | | |
| 23 | 921781 | 8 | · Hexagon nut | | |
| 24 | | 1 | Rocker arm shaft | | |
| 25 | 955083 | 2 | · Cap plug | | |
| 26 | 418426 | 3 | Compression spring | | |
| 27 | 411140 | 2 | Valve spring | | |
| 28 | 914456 | 2 | Snap ring | | |
| 29 | | 4 | Bearing bracket | | |
| 30 | 191689 | 4 | Screw | | |
| 31 | 418304 | 8 | Push rod | | |
| 32 | 1218630 | 8 | Tappet | | |
| 33 | | 1 | Timing gear casing | | |
| 34 | | 1 | Felt ring | | |
| 35 | 418626 | 1 | Retainer | | |
| 36 | | 1 | Lock ring | | |
| 37 | 955514 | 2 | Hexagon screw | | L = 25 MM |
| | 940158 | 7 | Hexagon screw | | L = 45 MM |
| 38 | 941906 | 9 | Spring washer | | |