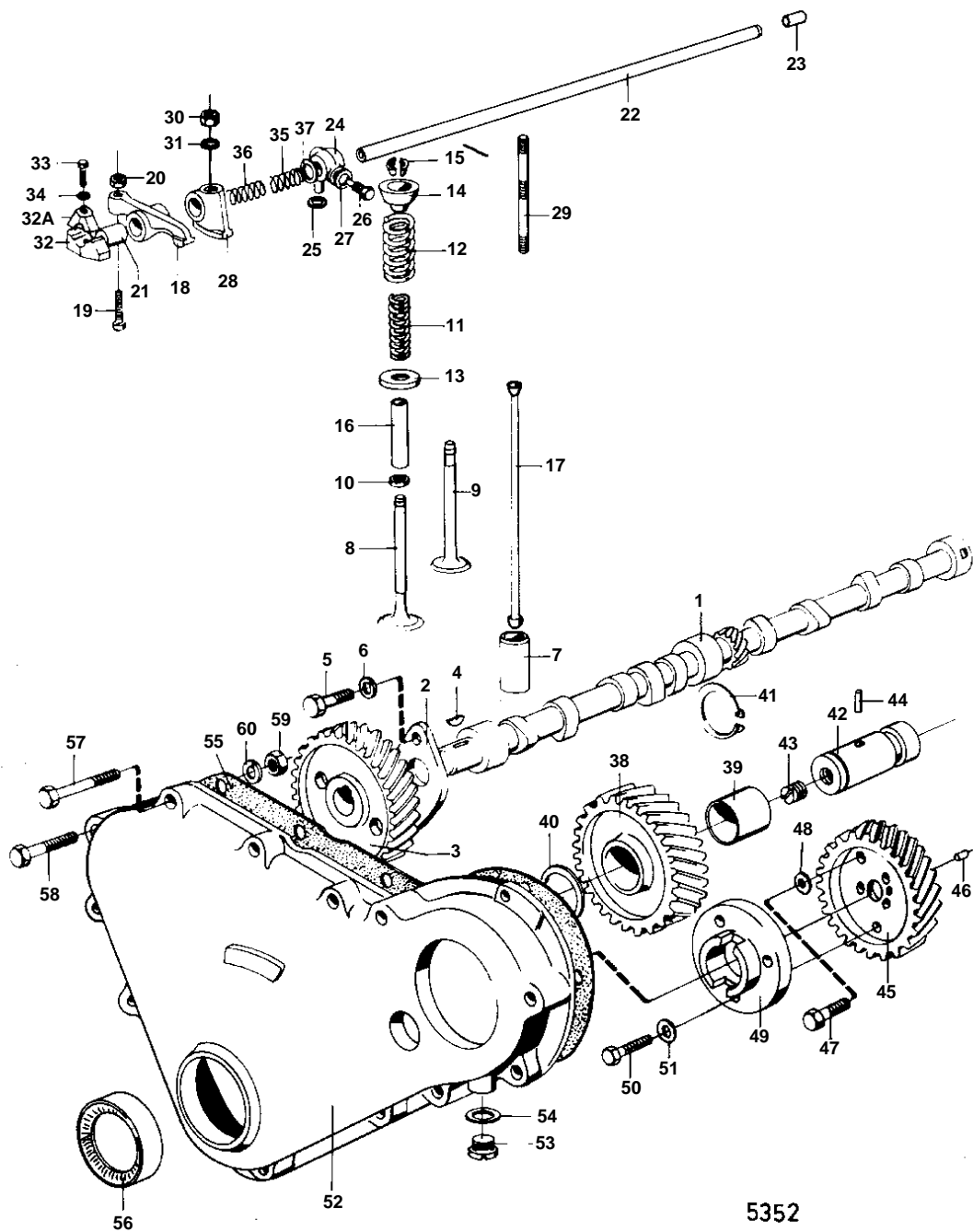


AQD21A, MD21A



## AQD21A, MD21A

REF	PART NO.	QTY	DESCRIPTION	SEE SEC.	NOTES
1		1	Camshaft		
2		1	· Bearing flange		
3		1	· Gear		
4		1	· Key		
5	955295	2	Hexagon screw		
6	941907	2	Spring washer		
7		8	Tappet		
8		4	Inlet valve		
9	826782	4	Exhaust valve		
10	818061	8	Protecting ring		
11	826783	8	Valve spring		
12	826784	8	Valve spring		
13		8	Washer		
14	826785	8	Washer		
15	3848256	16	Valve collet		
16			VALVE GUIDE	12740	
17		8	Push rod		
18	826787	8	Rocker arm		
19	818070	8	· Screw		
20	818071	8	· Nut		
21	826787	8	· Rocker arm		
22	826855	1	Shaft		
23		2	· Plug		
24		1	Oil distributor		
25	818069	1	Gasket		
26		1	Lock screw		
27	190990	1	Gasket		
28		4	Bearing bracket		
29	818202	4	Stud		
30		4	Nut		
31	941908	4	Spring washer		
32		2	Bearing cap		
32A		2	Support		
33	955301	2	Hexagon screw		
34	941907	2	Spring washer		
35		2	Spring		
36		2	Spring		
37		1	Washer		
38		1	Gear		
39		1	· Bushing		
40		1	Washer		
41		1	Snap ring		
42		1	Shaft	12757	
43		1	Plug	12757	
44		1	Pin	12757	
45		1	Gear		
46		1	Locating pin		
47		3	Screw		
48	941907	3	Spring washer		
49		1	Companion flange		MO-XXXX/103386
		1	Companion flange		MOXXXX/103387-
50	955294	3	Hexagon screw		MO-XXXX/103386
	959219	3	Hex. socket screw		MOXXXX/103386-
51	941907	3	Spring washer		
52		1	TIMING GEAR COVER		REPLACED BY 1EA 829493, 1EA 833521, 1EA 957181.
					MO-XXXX/103386
		1	Timing gear casing		MOXXXX/103387-
53	190798	1	Plug		MO-XXXX/103386
		1	REV. COUNTER SENDER		MOXXXX/103387-
					SEE GROUP 3
54	957182	1	Gasket		MO-XXXX/103386
		1	O-RING		MOXXXX/103387-
					SEE GROUP 3

