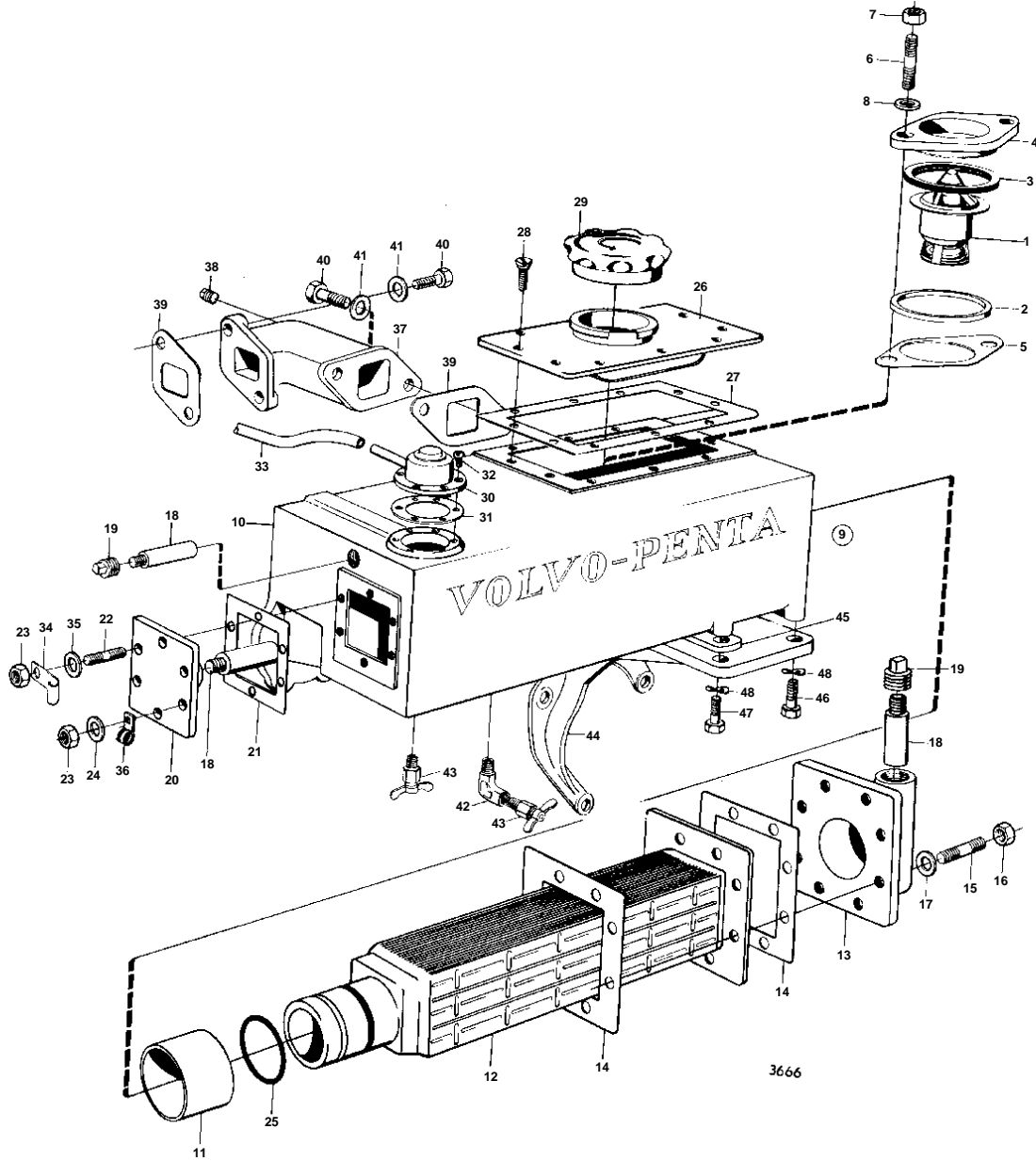


AQD21A, MD21A



AQD21A, MD21A

| REF | PART NO. | QTY | DESCRIPTION | NOTES |
|-----|----------|-----|----------------------|-------------|
| 1 | | 1 | Thermostat | |
| 2 | | 1 | Spacer ring | |
| 3 | 416033 | 1 | Sealing ring | (418361) |
| 4 | | 1 | Plate | |
| 5 | 817918 | 1 | Gasket | |
| 6 | | 2 | Stud | |
| 7 | | 2 | Hexagon nut | |
| 8 | 941670 | 2 | Washer | |
| 9 | | 1 | Heat exchanger | |
| 10 | | 1 | · HOUSING | |
| 11 | | 1 | · · Bushing | |
| 12 | 826646 | 1 | · Insert | |
| 13 | 825683 | 1 | · End plate | |
| 14 | 818352 | 2 | · Gasket | |
| 15 | 953043 | 8 | · Stud | |
| 16 | 955782 | 8 | · Hexagon nut | |
| 17 | 955894 | 8 | · Washer | |
| 18 | 800476 | 3 | · Zinc electrode | |
| 19 | 800475 | 2 | · Plug | |
| 20 | | 1 | · Hatch | |
| 21 | 818355 | 1 | · Gasket | |
| 22 | 953032 | 6 | · Stud | |
| 23 | 955781 | 6 | · Hexagon nut | |
| 24 | 955892 | 5 | · Washer | |
| 25 | 925069 | 2 | O-ring | |
| 26 | | 1 | Cover | |
| 27 | 826601 | 1 | Gasket | |
| 28 | 956205 | 10 | Cross recessed screw | |
| 29 | 323685 | 1 | Radiator cap insert | |
| 30 | | 1 | Valve | |
| 31 | 330699 | 1 | Gasket | |
| 32 | | 6 | Cross recessed screw | |
| 33 | 192618 | X | Hose | L = 250 MM |
| 34 | 18387 | 1 | Clamp | |
| 35 | 192287 | 1 | Washer | EARLY TYPE |
| 36 | 952630 | 1 | Clamp | SEE GROUP 3 |
| 37 | | 1 | Riser | |
| 38 | 800475 | 1 | Plug | |
| 39 | 411168 | 2 | Gasket | |
| 40 | 940142 | 4 | Hexagon screw | |
| 41 | 955894 | 4 | Washer | |
| 42 | 16218 | 1 | Elbow nipple | |
| 43 | 82744 | 2 | Shut-off cock | |
| 44 | | 1 | Bracket | |
| 45 | | 1 | Spacer | |
| 46 | 955318 | 2 | Hexagon screw | L = 30 MM |
| 47 | 955319 | 2 | Hexagon screw | L = 35 MM |
| 48 | 941908 | 4 | Spring washer | |