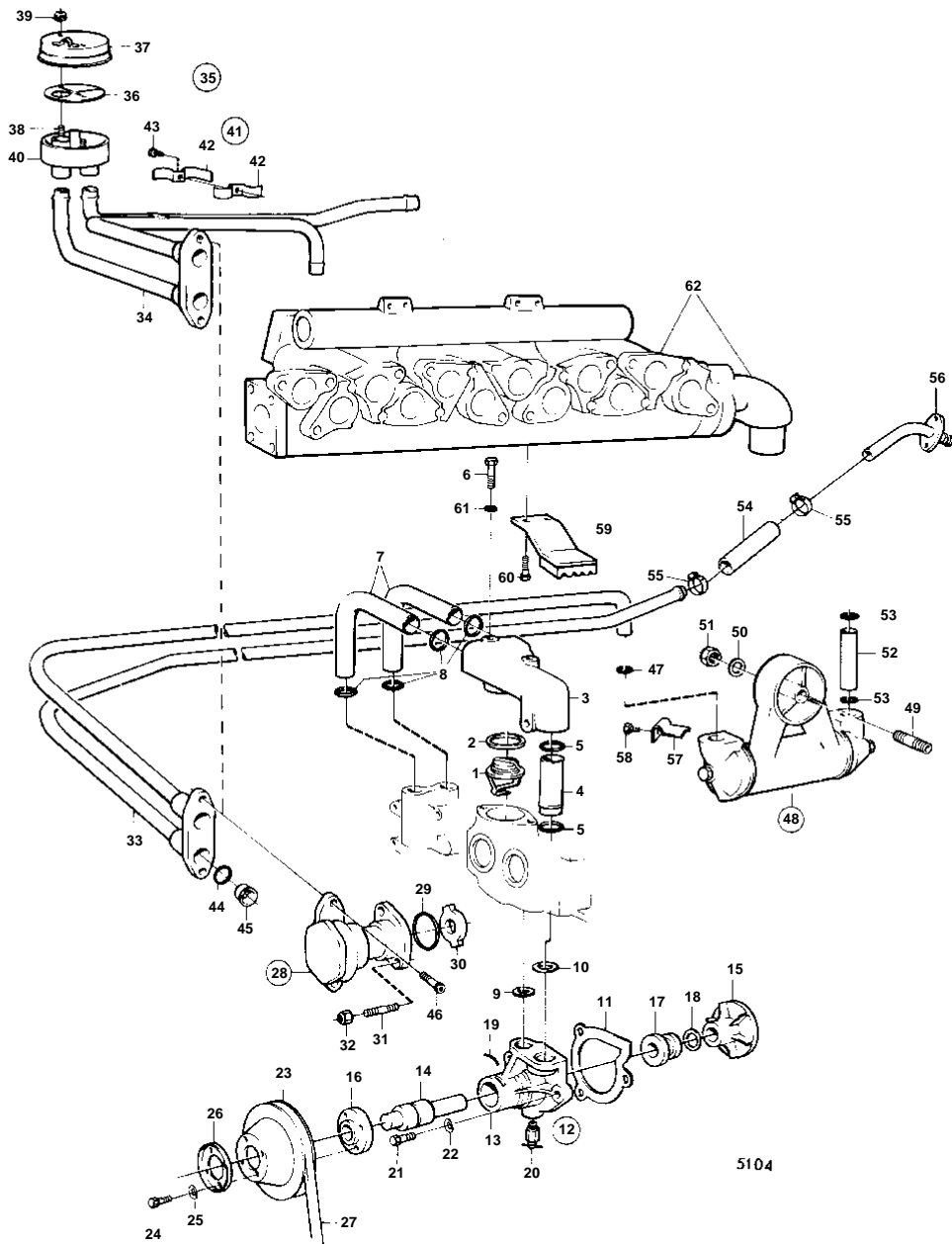


AQ170A



AQ170A

REF	PART NO.	QTY	DESCRIPTION	NOTES
1	875791	1	Thermostat kit	
2	416033	1	Sealing ring	(418361)
3	831024	1	Thermostat housing	
4		1	Coolant pipe	
5	418412	2	Sealing ring	
6	940136	2	Hexagon screw	
7		2	Coolant pipe	
8	418412	4	Sealing ring	
9	430018	1	Sealing ring	STD
	430272	1	Sealing ring	D42A PP SPEC. 16053, 867638.
10	430172	1	Sealing ring	STD
		1	Sealing ring	D42A PP SPEC. 16053, 867638.
11	430017	1	Gasket	
12	831742	1	Water pump	
13		1	· HOUSING	
14	831720	1	· Ball bearing	
15	831438	1	· Turbine rotor	
16		1	· Hub	
17	460839	1	· Seal	
18	421306	1	· Wear ring	
19	415058	1	· Locking wire	
20	82744	1	Shut-off cock	
21	940159	3	Hexagon screw	
22	941907	3	Spring washer	
23		1	Pulley	
24	956567	4	Hex. socket screw	
25	941907	4	Spring washer	
26		1	Washer	
27	834548	1	V-belt	SEE GROUP 3
28	831178	1	Sea water pump, WATER PUMP	
29	925066	1	O-ring	
30	831009	1	Cross piece	
31		2	Stud	
32	950352	2	Lock nut	
33		1	Coolant pipe	MO-XXXX/69347
34		1	Coolant pipe	MOXXXX/69348-
35		1	Strainer	MOXXXX/69348-
36		1	· Strainer	
37		1	· Cover	
38		2	· SCREW	
39		2	· Nut	
40		1	· HOUSING	
41		1	Retainer	MOXXXX/69348-
42		2	· BRACE	
43		1	· Screw	
44	831617	2	Sealing ring	
45	423187	2	Ring retainer	
46	959437	2	Hex. socket screw	
47	418412	1	Sealing ring	
48	831047	1	Oil cooler, OIL COOLER	
49		1	Nipple	SEE GROUP 2A
50	824589	1	Washer	
51	191701	1	Nut	
52	831071	1	Pipe	
53	418412	2	Sealing ring	
54	952971	X	Hose	L = 140 MM
55	943474	2	Hose clamp	(951790)
56		1	WATER PIPE GROMMET	SEE GROUP 4A
59		1	Bracket	
60	940100	2	Hexagon screw	
61	120265	2	Washer	
62				