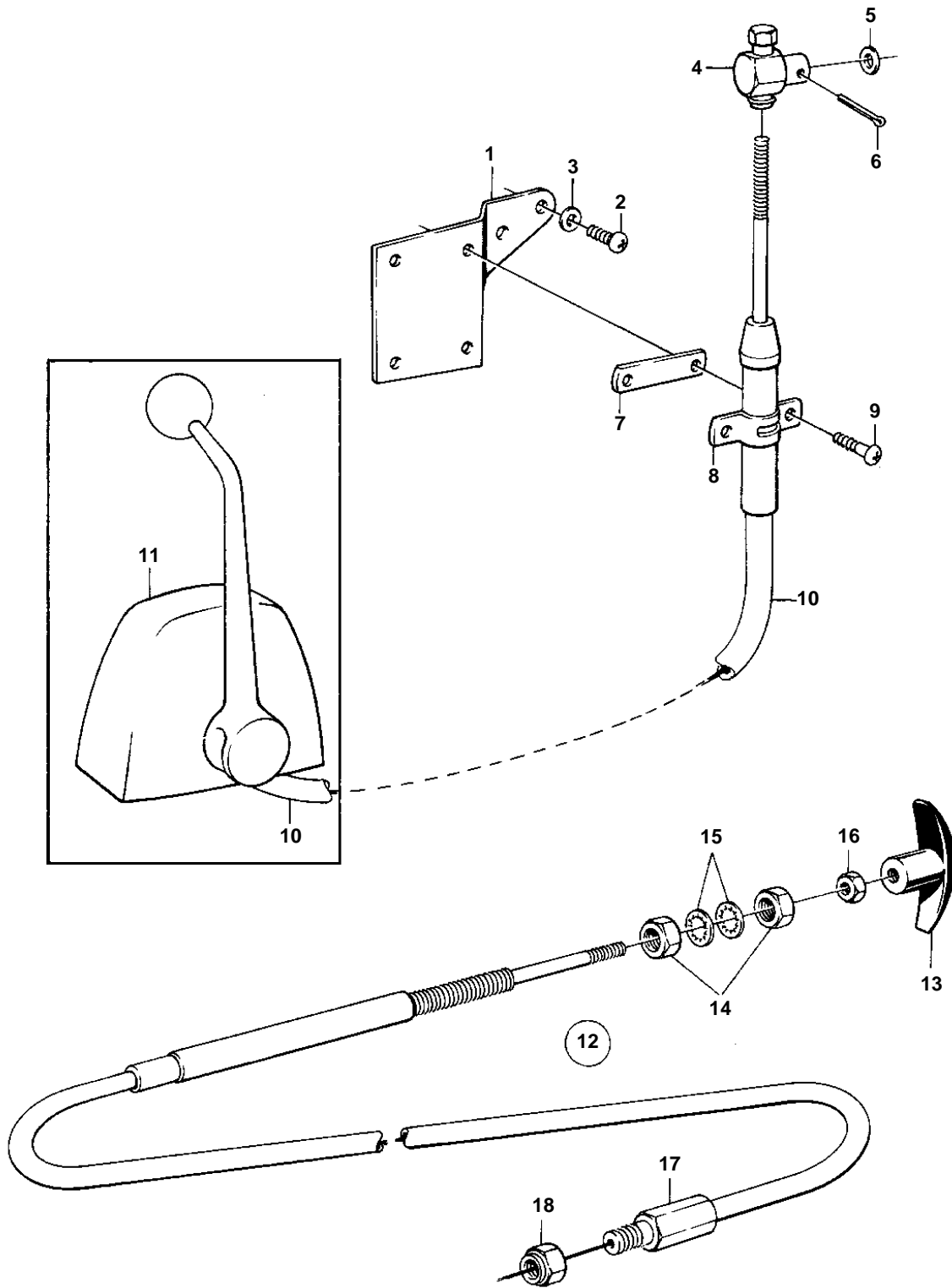


MB20B



2944

MB20B

REF	PART NO.	QTY	DESCRIPTION	NOTES
1		1	Bracket	
2		2	Cross recessed screw	
3	941905	2	Spring washer	
4	814078	1	Cube	
5	940191	1	Washer	
6	17276	1	Split pin	
7	819068	1	Washer	
8	21471054	1	Bracket	
9	831838	2	Screw	
10		X	CONTROL CABLE	SEE GROUP 9
11		X	CONTROL	SEE GROUP 9
18		1	Choke control	SEE GROUP 9