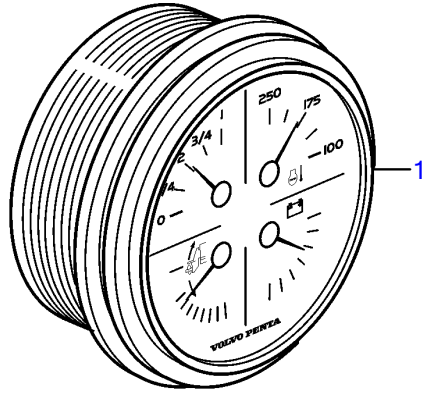
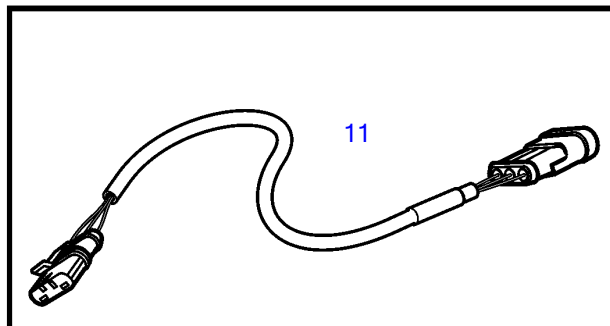
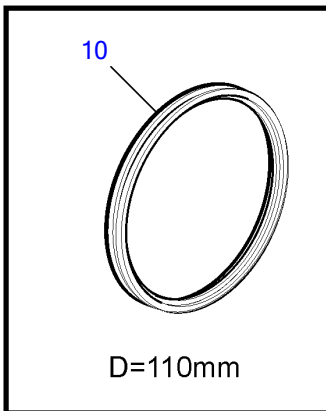
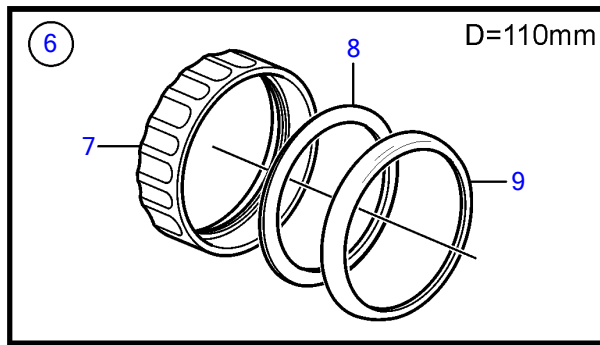
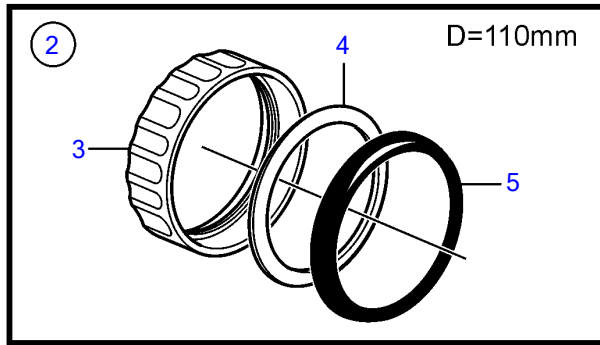


8.1IPSE-JF



D=110mm



## 8.1IPSE-JF

| REF | PART NO.  | QTY | DESCRIPTION                         | SEE SEC.    | NOTES  |
|-----|-----------|-----|-------------------------------------|-------------|--|
| 1   | 3885214   | 1   | Instrument<br>• Bulletin P-36-9-3   | P-36-9-3-EN | Oil pressure, coolant temp, fuel level, volt meter, White<br>New products in the EVC family  |
| 1   | 3885215   | 1   | Instrument<br>• Bulletin P-36-9-3   | P-36-9-3-EN | Trim (analog), coolant temp, fuel level, volt meter, White<br>New products in the EVC family |
| 1   | 3847876   | 1   | Instrument<br>• Bulletin P-36-9-3   | P-36-9-3-EN | Oil pressure, coolant temp, fuel level, volt meter, Black<br>New products in the EVC family  |
| 1   | 3847879   | 1   | Instrument<br>• Bulletin P-36-9-3   | P-36-9-3-EN | Trim (analog), coolant temp, fuel level, volt meter, Black<br>New products in the EVC family |
| 2   | 3847888   | 1   | Mounting kit<br>• Bulletin P-36-9-3 | P-36-9-3-EN | Black<br>New products in the EVC family  |
| 3   | (3884098) | 1   | • Attaching ring                    |             | Obsolete part  |
| 4   | 3884103   | 1   | • Gasket                            |             |  |
| 5   | 3847887   | 1   | • Ring                              |             |  |
| 6   | 3885216   | 1   | Mounting kit<br>• Bulletin P-36-9-3 | P-36-9-3-EN | Chrome<br>New products in the EVC family   |
| 7   | (3884098) | 1   | • Attaching ring                    |             | Obsolete part  |
| 8   | 3884103   | 1   | • Gasket                            |             |  |
| 9   | 3884096   | 1   | • Ring                              |             |  |
| 10  | 3886791   | 1   | X-ring<br>• Bulletin P-36-9-3       | P-36-9-3-EN | For flush mounting.<br>New products in the EVC family  |
| 11  | 874759    | 1   | Extension cable\verl                |             | L=1000mm   |
|     | 3807043   | 1   | Extension cable\verl                |             | L=3000mm   |