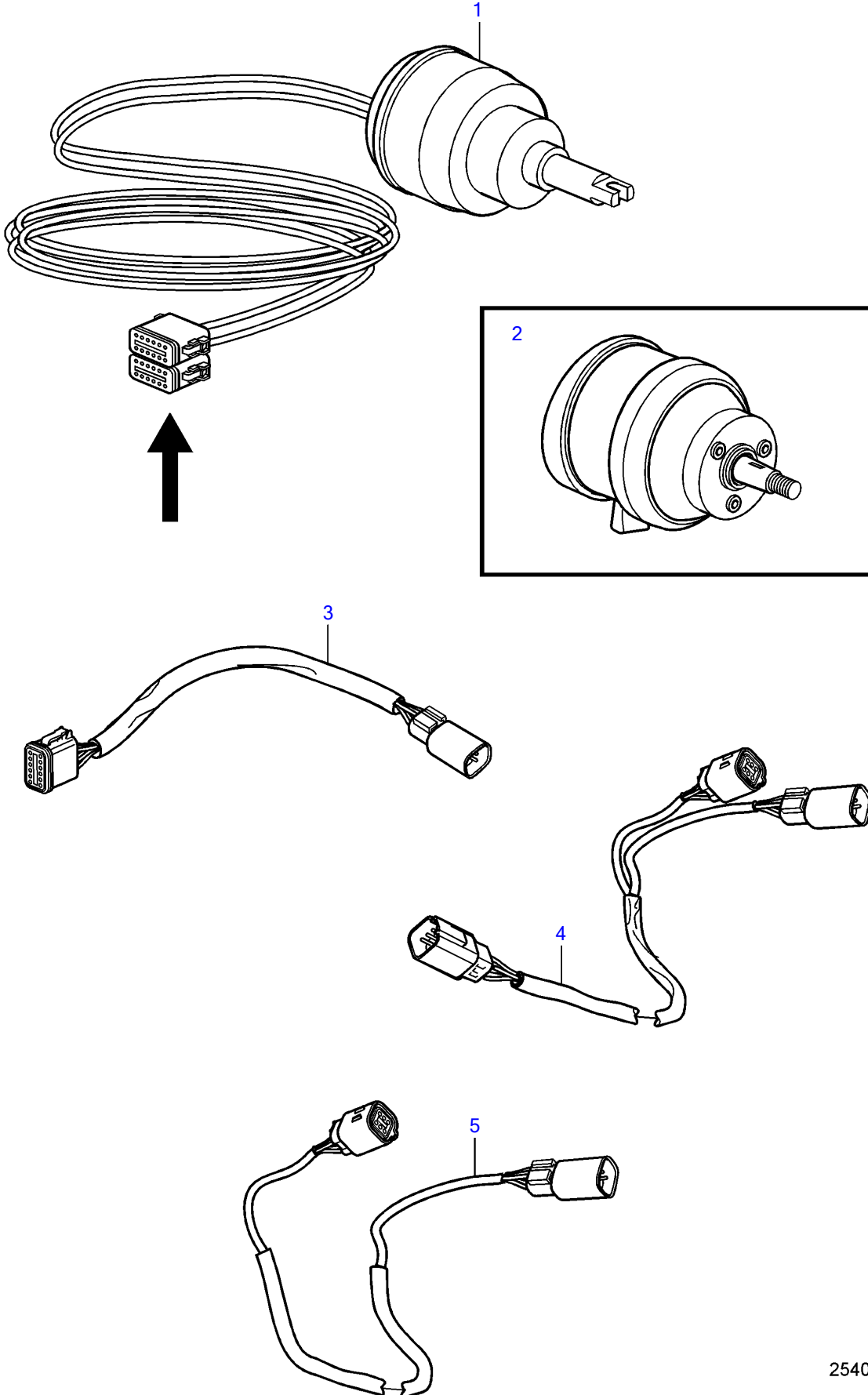


8.1IPSCE-PF



25406

## 8.1IPSCE-PF

REF	PART NO.	QTY	DESCRIPTION	NOTES
1	3808380	1	Kit	Deutch connectors
2	3841280	1	Steering wheel adjus	Component parts not sold separately
3	21421942	1	Cable	Steering adapter, 12 pin Deutch female -> 6 pin Molex male
	21421945	1	Cable	Steering adapter, 12 pin Deutch male -> 6 pin Molex female
4	21421941	1	Cable, t	6 pin Molex
5	21480272	1	Cable, extension	L=1.5m, 6 pin Molex