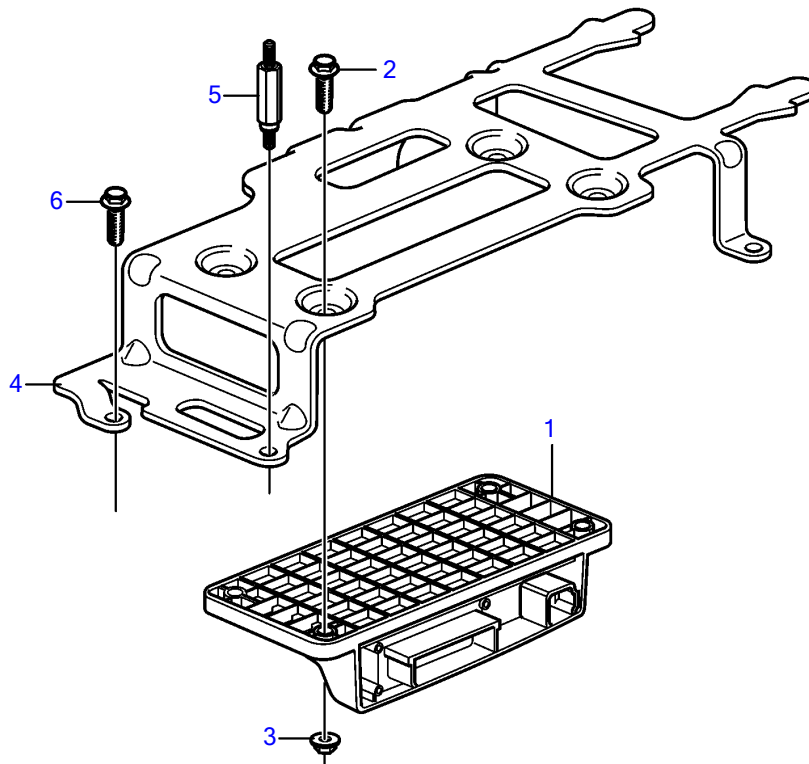


8.1IPSCE-PF, 8.1IPSCE-Q



24121

8.1IPSCE-PF, 8.1IPSCE-Q

REF	PART NO.	QTY	DESCRIPTION	NOTES
1	21469059	1	Control unit	
	3586267	1	Software	Warehouse programming. This p/n can not be ordered, but will be used for invoicing.
	3586266	1	Software	Vodia-programming. This p/n can not be ordered, but will be used for invoicing.
2	945444	4	Flange screw	
3	945408	4	Flange nut	
4	40005740	1	Bracket	
5	21128472	2	Support	
6	946544	3	Flange screw	