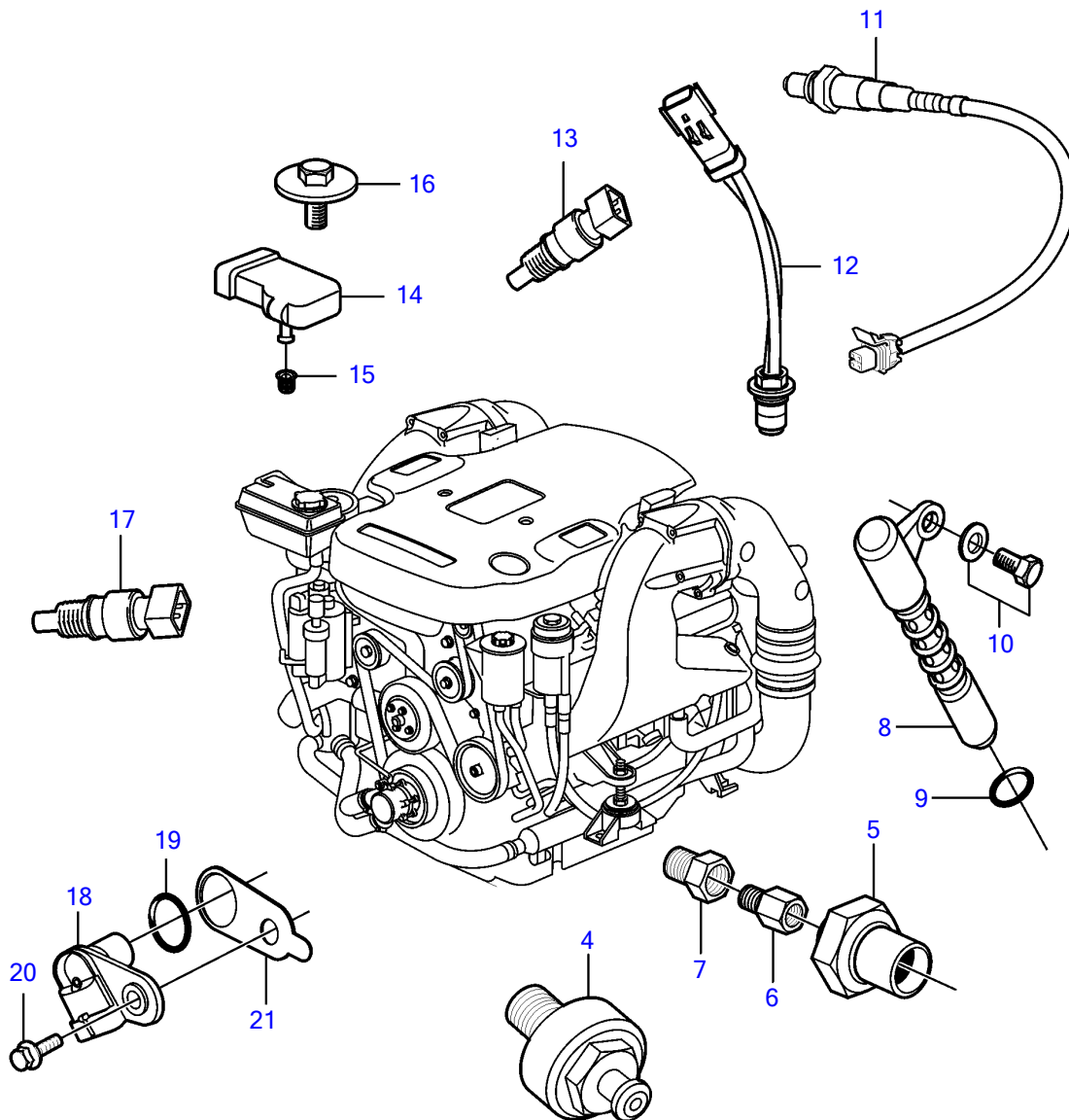
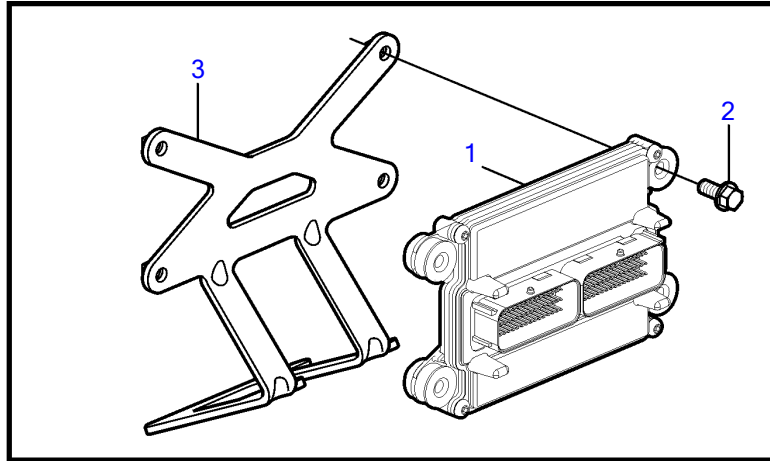


8.1IPSCE-PF, 8.1IPSCE-Q



8.1IPSCE-PF, 8.1IPSCE-Q

| REF | PART NO. | QTY | DESCRIPTION | NOTES |
|-----|----------|-----|-----------------------------|---------------------|
| 1 | 21367595 | 1 | Module | |
| 2 | 3843651 | 4 | Flange screw | |
| 3 | 3595472 | 1 | Bracket | |
| 4 | 3861301 | 2 | Knock sensor | |
| 5 | 3887328 | 1 | Sensor | |
| 6 | 3887970 | 1 | Fitting | |
| 7 | 3857816 | 1 | Bushing | |
| 8 | 3808516 | 1 | Sensor, crankshaft position | |
| 9 | | 1 | • O-ring | not sold separately |
| 10 | 3861262 | 1 | Bolt | |
| 11 | 3883724 | 4 | Sensor, oxygen | |
| 12 | 3889526 | 4 | Sensor, temperature | |
| 13 | 3854527 | 1 | Sensor, mat | |
| 14 | 3861321 | 1 | Sensor, map | |
| 15 | 3858988 | 1 | • Sealing | |
| 16 | 3861240 | 1 | Bolt | |
| 17 | 3850397 | 1 | Switch, coolant water temp. | |
| 18 | 3808513 | 1 | Sensor, camshaft position | |
| 19 | | 1 | • O-ring | not sold separately |
| 20 | | 1 | Screw | part not sold |
| 21 | | 1 | Spacer | part not sold |